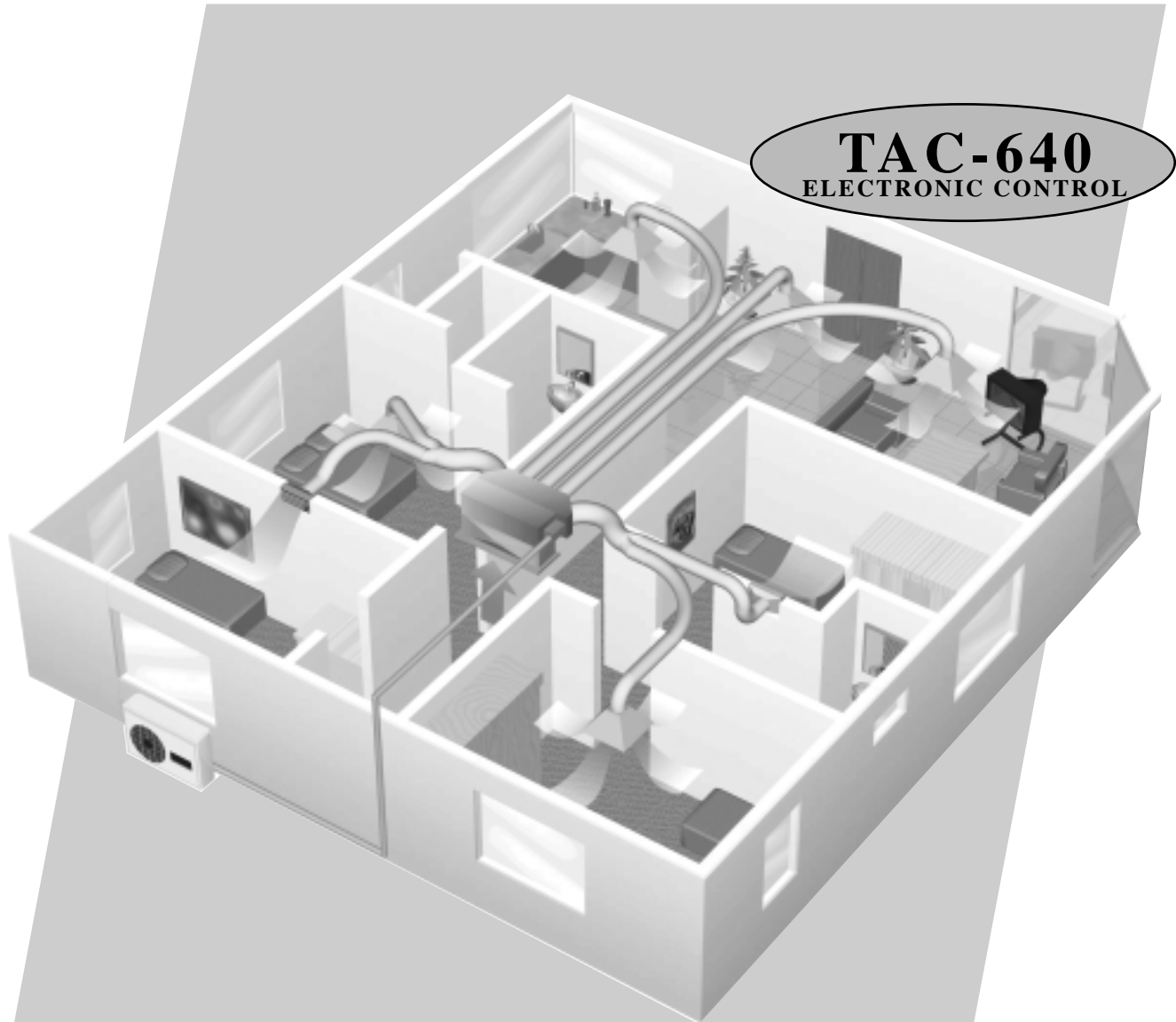


AVL 5130-26510-38

SERVICE MANUAL

SPARE PARTS FOR AIR CONDITIONER MODELS AVL



TAC-640
ELECTRONIC CONTROL

AVL 25

AVL 35

AVL 50

AVL 60

AVL 753

AUG. 2002

INDEX**ILLUSTRATED PARTS LISTS****TABLES**

Table 1-1	EVAPORATOR ASSEMBLY AVL 25 / 35 / 50 / 60 / 753	3
Table 1-2	ELECTRICAL BOX ASSEMBLY AVL 25 / 35 / 50 / 60 / 753	6
Table 1-3	REMOTE CONTROLLER AVL 25 / 35 / 50 / 60 / 753	8
Table 1-4	CONDENSER ASSEMBLY AVL 25 / 35 / 50 / 60 / 753	10
Table 1-5	CONDENSER CONNECTION BOX ASSEMBLY AVL 25 / 35 / 50 / 60 - 1 PH	14
Table 1-6	CONDENSER CONNECTION BOX ASSEMBLY AVL 25 / 35 / 50 / 60 - 3 PH	16
Table 1-7	CONDENSER CONNECTION BOX ASSEMBLY AVL 753	18

FIGURES

Figure 1-1	EVAPORATOR ASSEMBLY AVL 25 / 35 / 50 / 60 / 753	5
Figure 1-2	ELECTRICAL BOX ASSEMBLY AVL 25 / 35 / 50 / 60 / 753	7
Figure 1-3	REMOTE CONTROLLER AVL 25 / 35 / 50 / 60 / 753	9
Figure 1-4	CONDENSER ASSEMBLY AVL 25 / 35 / 50 / 60 / 753	13
Figure 1-5	CONDENSER CONNECTION BOX ASSEMBLY AVL 25 / 35 / 50 / 60 - 1 PH	15
Figure 1-6	CONDENSER CONNECTION BOX ASSEMBLY AVL 25 / 35 / 50 / 60 - 3 PH	17
Figure 1-7	CONDENSER CONNECTION BOX ASSEMBLY AVL 753	19

1. ILLUSTRATED PART LIST FOR AVL

Table 1-1 EVAPORATOR ASSEMBLY AVL 25 / 35 / 50 / 60 / 753
(See Figure 1-1)

No.	DESCRIPTION	Cat. No.	25	35	50	60	753
1	EVAP. COIL SYSTEM	513084703 30	1	-	-	-	-
		513084703 20	-	1	1	-	-
		513084702 90	-	-	-	1	-
		513084702 80	-	-	-	-	1
2	DRAIN PAN ASSY.	513081179 00	1	1	1	1	1
3	ENVELOPE FRONT ASSY.	513081180 00	1	1	1	1	1
4	FAN DECK RIGHT ASSY.	513081188 00	1	1	1	1	1
5	SERVICE DOOR ASSY.	513081174 00	1	1	1	1	1
6	BUTTOM FRONT COVER ASSY.	513081173 00	1	1	1	1	1
7	ENVELOPE RIGHT ASSY.	513081191 00	1	1	1	1	1
8	FAN DECK CENTRAL	513041233 00	1	1	1	1	1
9	BACK COVER ASSY.	513081177 00	2	2	2	2	2
10	BLOWER HOUSING ASSY. R.	513081183 00	1	1	1	1	1
11	BLOWER WHEEL RIGHT	513021317 00	1	1	1	1	1
12	AIR FILTER	513012427 00	3	3	3	3	3
13	NET PROTECTION	513041243 00	1	1	1	1	1
*	FAN DECK UNIT ASSY	513081166 00	1	1	1	1	-
		513081167 00	-	-	-	-	1
14	FAN MOTOR EVAPORATOR	513013194 00	1	1	1	1	-
		513013195 00	-	-	-	-	1
15	BLOWER HOUSING ASSY. L.	513081184 00	1	1	1	1	1
16	BLOWER WHEEL LEFT	513021316 00	1	1	1	1	1
17	BLOWER HOUSING RING	513041250 00	4	4	4	4	4
18	FAN DECK LEFT ASSY.	513081176 00	1	1	1	1	1
19	TOP FRONT COVER ASSY.	513081195 00	1	1	1	1	1
20	INSTALLATION HOOK	513041240 00	4	4	4	4	4
21	INSTALLATION ANGLE BRACKETS	513041268 00	2	2	2	2	2

AUG. 2002 5130-26510-38

Table 1-1 EVAPORATOR ASSEMBLY AVL 25 / 35 / 50 / 60 / 753 (Continued)
(See Figure 1-1)

No.	DESCRIPTION	Cat. No.	25	35	50	60	753
22	AIR TUBE ADAPTOR 12"	513041772 00	2	2	2	2	2
23	MANIFOLD ASSY.	513058132 10	-	1	1	1	-
		513058132 40	1	-	-	-	-
		513058131 90	-	-	-	-	1
24	MANIFOLD ASSY.	513058132 00	-	1	1	1	-
		513058132 50	1	-	-	-	-
		513058131 80	-	-	-	-	1
25	FAN MOTOR CAPACITOR 5μF 15μF	513018005 00	1	1	1	1	-
		513018015 00	-	-	-	-	1

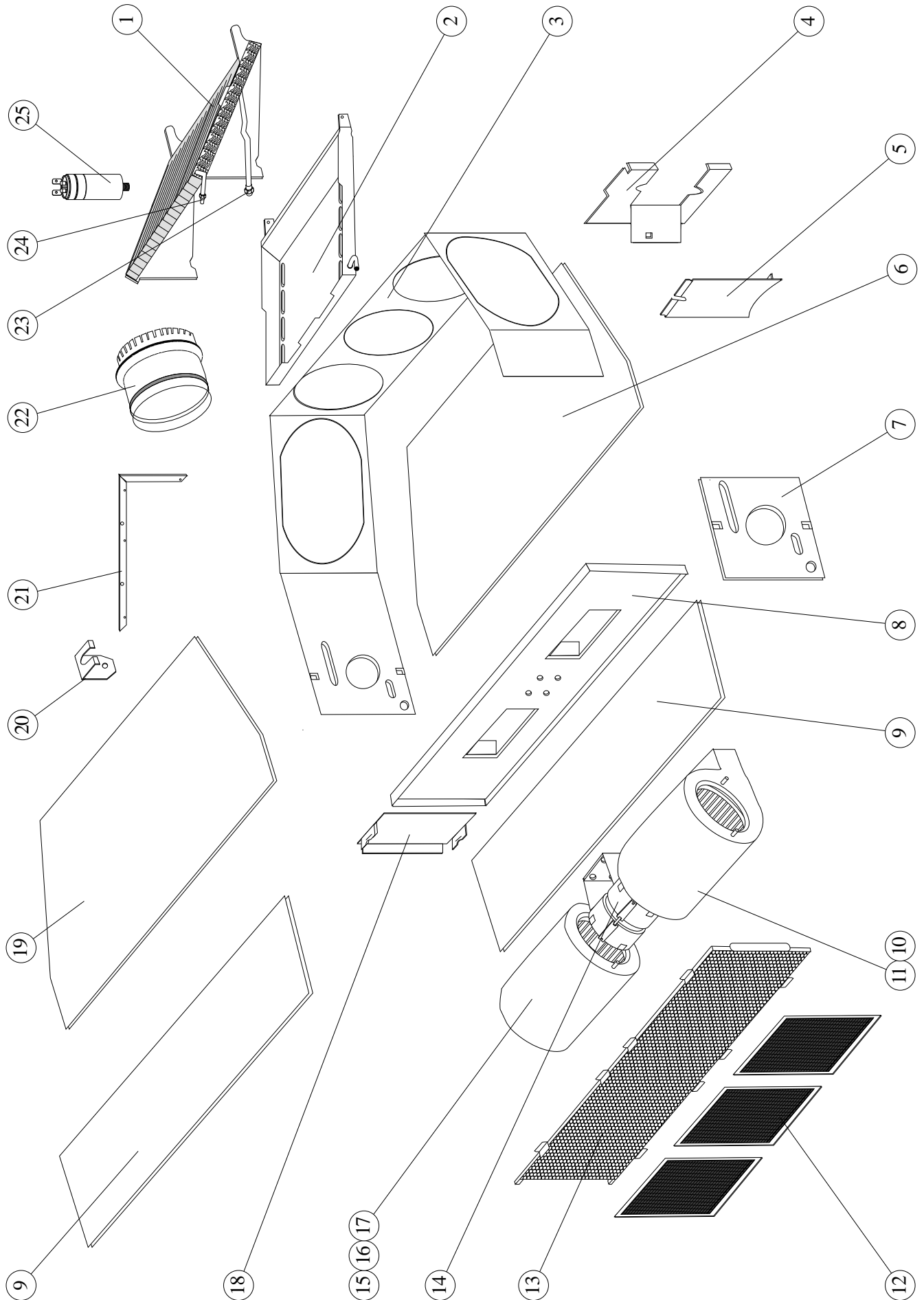
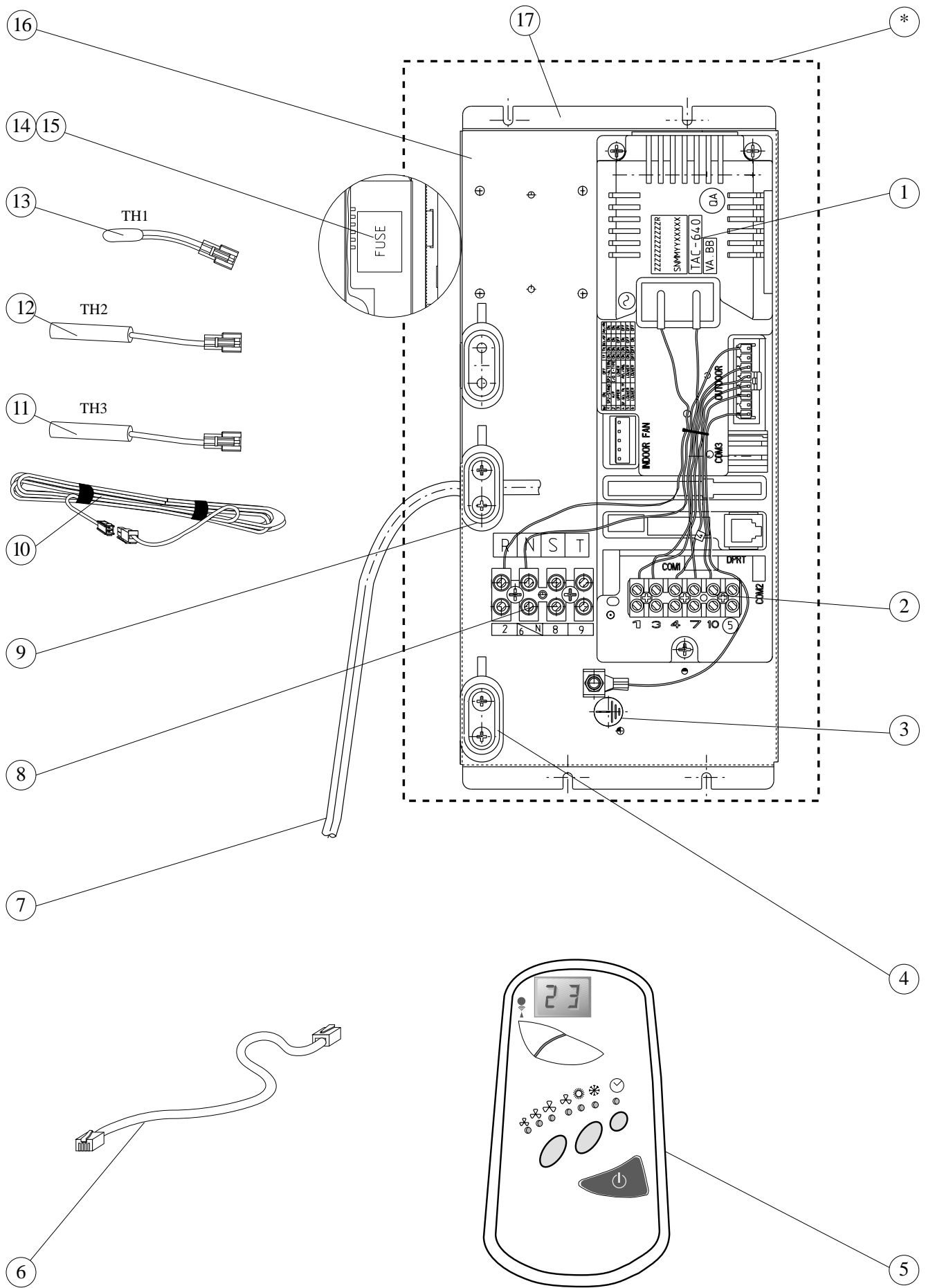


Figure 1-1 EVAPORATOR ASSEMBLY AVL 25 / 35 / 50 / 60 / 753

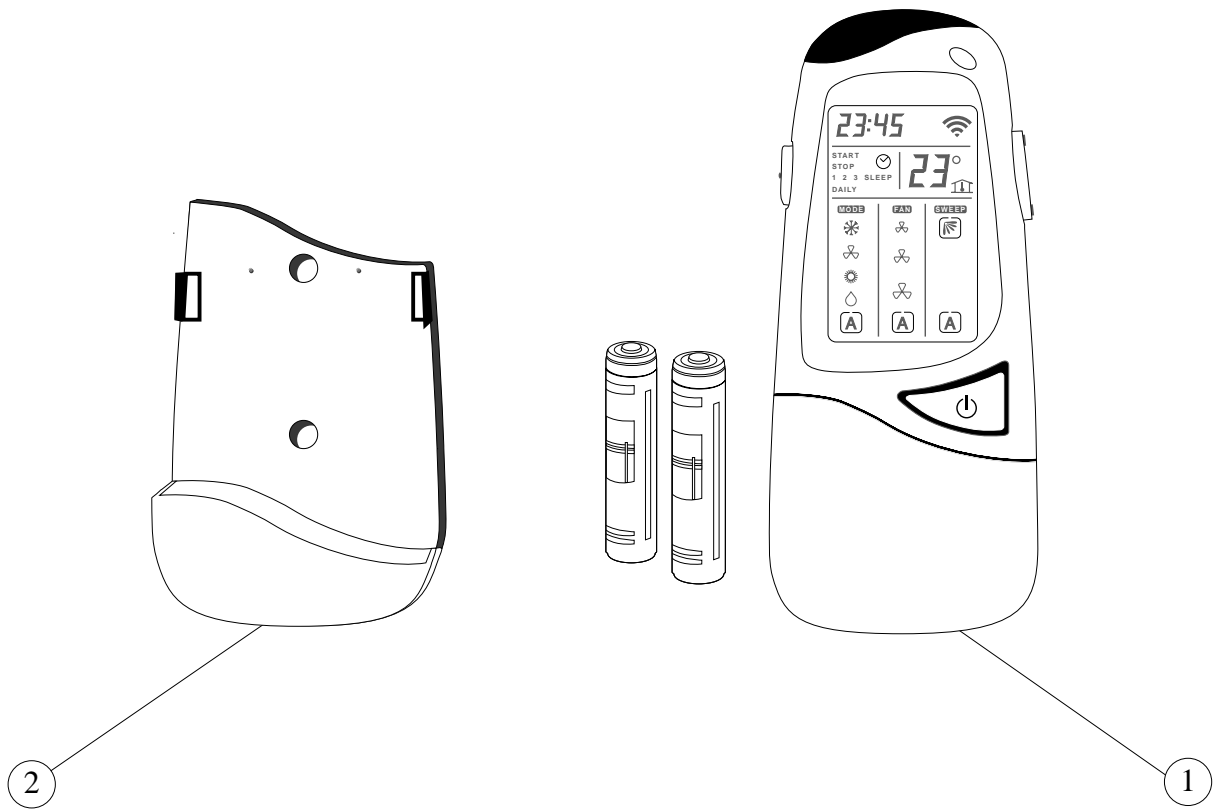


AUG. 2002 5130-26510-38

Figure 1-2 ELECTRICAL BOX ASSEMBLY AVL 25 / 35 / 50 / 60 / 753

Table 1-3 REMOTE CONTROLLER AVL 25 / 35 / 50 / 60 / 753
(See Figure 1-3)

No.	DESCRIPTION	Cat. No.	25	35	50	60	753
1	REMOTE CONTROLLER TAC-490	513035044 10	1	1	1	1	1
2	REMOTE CONTROLLER RACK	513012802 00	1	1	1	1	1



AUG. 2002 5130-26510-38

Figure 1-3 REMOTE CONTROLLER AVL 25 / 35 / 50 / 60 / 753

Table 1-4 CONDENSER ASSEMBLY AVL 25 / 35 / 50 / 60 / 753
(See Fig. 1-4)

No.	DESCRIPTION	Cat. No.	25	35	50	60	753
1	CONTROL SIDE COVER ASSY.	513084511 00	1	1	-	-	-
		513084512 00	-	-	1	1	-
		513084516 00	-	-	-	-	1
2	COVER FOR CONNECTION BOX	513012381 00	1	1	1	1	1
3	CORD CLAMP BETWEEN UNITS	512012200 00	1	1	1	1	1
4	VALVE ASSEMBLY:						
	3/8" (25 - 1 PH; 35 - 3 PH)	513058153 40	1	1	-	-	-
	3/8" (50 - 1 PH; 60 - 3 PH)	513058156 60	-	-	1	1	-
	3/8" (35 - 1 PH; 50 - 3 PH)	513058156 80	-	1	1	-	-
	3/8" (60 - 1 PH)	513058156 30	-	-	-	1	-
	3/8"	513058153 70	-	-	-	-	1
	5/8"	513058152 60	1	1	1	1	-
3/4"	513058153 80	-	-	-	-	1	
5	VALVE BASE	513044036 00	1	1	1	1	-
		513044062 00	-	-	-	-	1
6	CAPILARY ASSEMBLY:	1 PH 513058851 60	1	-	-	-	-
		1 PH 513058851 70	-	1	-	-	-
		3 PH 513058680 00	-	1	-	-	-
		1 PH 513058856 20	-	-	1	-	-
		3 PH 513058852 40	-	-	1	-	-
		1 PH 513058852 90	-	-	-	1	-
		3 PH 513058817 00	-	-	-	1	-
	EXPANSION VALVE ASSY.	513058821 20	-	-	-	-	1
7	VALVE ASSEMBLY:						
	BRISTOL 1 PH	513058753 90	1	1	-	-	-
	COPELAND 1 PH	513058324 10	-	-	1	-	-
	COPELAND 1 PH	513058856 30	-	-	-	1	-
	BRISTOL 3 PH	513058555 00	-	1	-	-	-
	BRISTOL 3 PH	513058751 90	-	-	1	-	-
	BRISTOL 3 PH	513058754 60	-	-	-	1	-
BRISTOL 3 PH	513058729 20	-	-	-	-	1	

AUG. 2002 5130-26510-38

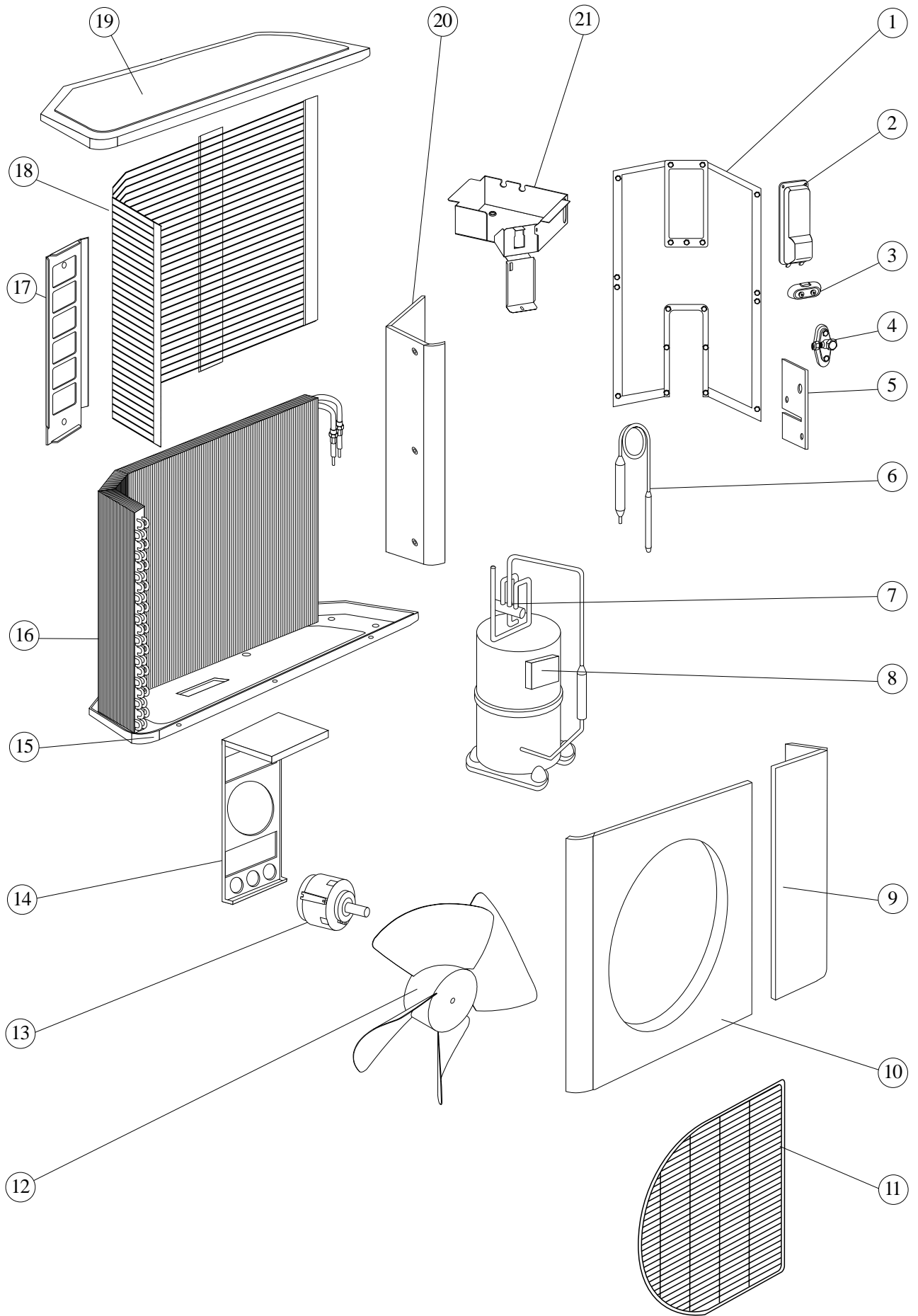
Table 1-4 CONDENSER ASSEMBLY AVL 25 / 35 / 50 / 60 / 753 (Continued)
(See Fig. 1-4)

No.	DESCRIPTION	Cat. No.	25	35	50	60	753		
8	COMPRESSOR:								
	BRISTOL	1 PH	513014122 70	1	-	-	-	-	
	BRISTOL	1 PH	513014123 02	-	1	-	-	-	
	COPELAND	1 PH	513014133 50	-	-	1	1	-	
	BRISTOL	3 PH	513014323 01	-	1	-	-	-	
	BRISTOL	3 PH	513014323 52	-	-	1	-	-	
	BRISTOL	3 PH	513014324 06	-	-	-	1	-	
9	CORNER COVER ASSY.		513084510 00	1	1	1	1	-	
			513084601 00	-	-	-	-	1	
10	FAN BLADES HOUSING		513044011 00	1	1	-	-	-	
			513044012 00	-	-	1	1	1	
11	NET WIRE FAN BLADES		513044054 00	1	1	1	1	1	
12	SET FAN BLADES		513021359 00	1	1	-	-	-	
			513021357 00	-	-	1	1	1	
13	FAN MOTOR CONDENSER		513013143 00	1	1	1	1	1	
14	FAN MOTOR SUPPORT		513044021 00	1	1	1	1	1	
15	CONDENSER BASE		513044804 00	1	1	-	-	-	
			513044805 00	-	-	1	1	-	
			513044826 00	-	-	-	-	1	
16	CONDENSER COIL ASSY.		513082660 50	1	1	-	-	-	
			513082664 20	-	-	1	-	-	
			513082664 30	-	-	-	1	-	
			3 PH	513083674 10	-	1	-	-	-
			3 PH	513082660 90	-	-	1	-	-
			3 PH	513082660 70	-	-	-	1	-
		513082763 60	-	-	-	-	1		
17	REAR SUPPORT		513044111 00	1	1	1	1	1	
18	NET CONDENSER COIL		513012702 10	1	1	-	-	-	
			513012702 30	-	-	1	1	-	
			513012702 40	-	-	-	-	1	

AUG. 2002 5130-26510-38

Table 1-4 CONDENSER ASSEMBLY AVL 25 / 35 / 50 / 60 / 753 (Continued)
(See Fig. 1-4)

No.	DESCRIPTION	Cat. No.	25	35	50	60	753
19	TOP COVER ASSY.	513044008 00	1	1	-	-	-
		513044009 00	-	-	1	1	-
		513084602 00	-	-	-	-	1
20	PARTITION ASSY. 3 PH	513084509 00	1	1	-	-	-
		513084546 00	-	-	1	-	-
		513084513 00	-	-	-	1	-
		513084634 00	-	-	-	-	1
		513084513 00	-	-	1	1	-
		513084546 00	-	-	1	-	-
21	CONNECTION BOX	SEE FIG. 1-5, 1-6, 1-7					

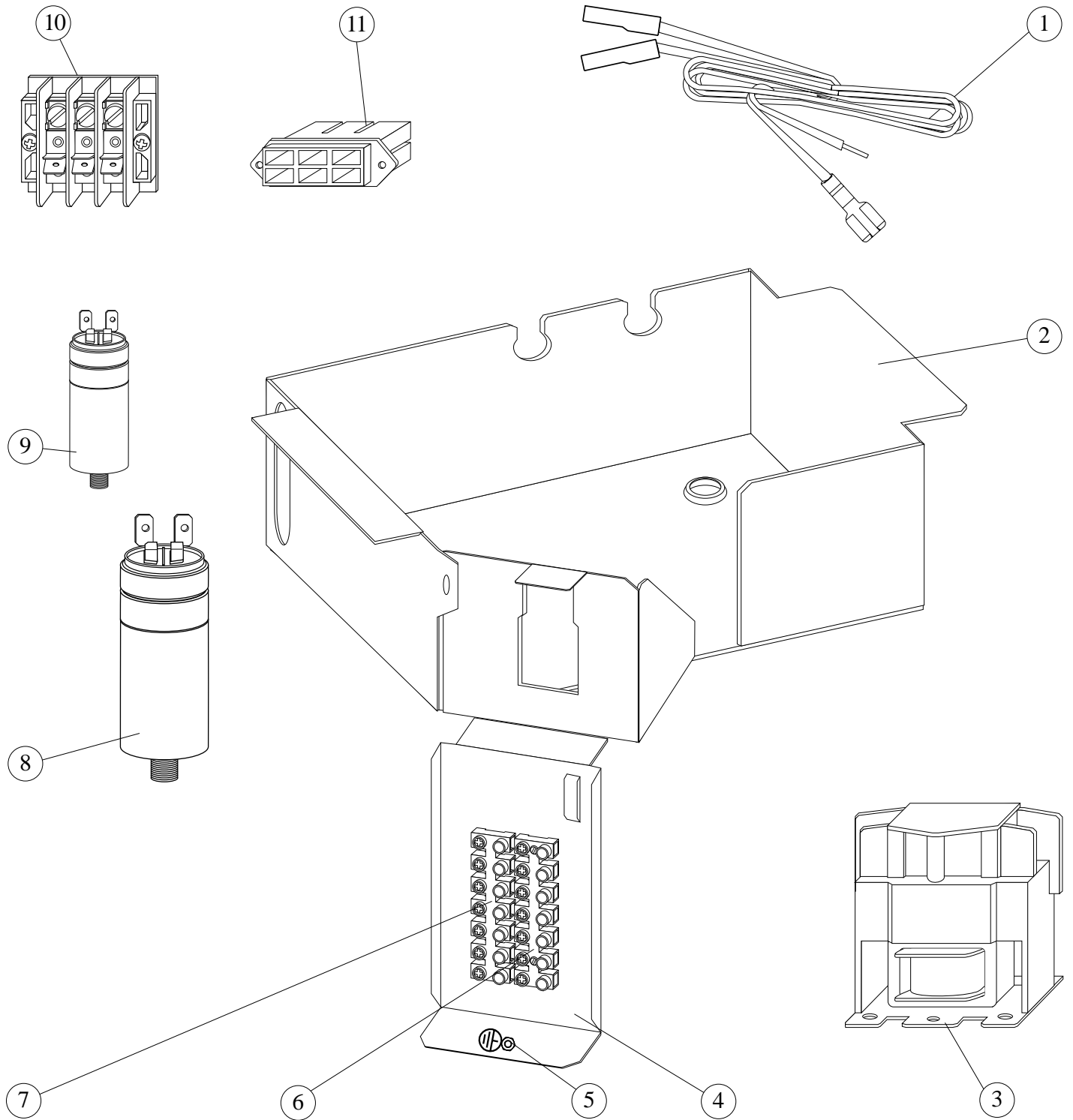


AUG. 2002 5130-26510-38

Figure 1-4 CONDENSER ASSEMBLY AVL 25 / 35 / 50 / 60 / 753

**Table 1-5 CONDENSER CONNECTION BOX ASSEMBLY AVL 25 / 35 / 50 / 60 - 1 PH
(See Fig. 1-5)**

No.	DESCRIPTION	Cat. No.	25	35	50	60	
1	WIRING HARNESS ASSEMBLY	513079007 00	1	1	1	1	
2	SHEET METAL BASE	513044024 00	1	1	1	1	
3	SET CONTACTOR	513078688 00	1	1	1	1	
4	SUPPORT CONNECTION BOX	513044026 00	1	1	1	1	
5	GROUND TERMINAL RING	512019225 00	1	1	1	1	
6	TERMINAL BLOCK 7 POLES MALE	513020533 00	1	1	1	1	
7	TERMINAL BLOCK 7 POLES FEMALE	513020534 00	1	1	1	1	
8	COMPRESSOR CAPACITOR	40 μ F	513018040 00	1	-	-	-
		45 μ F	513018045 00	-	1	-	-
		60 μ F	513018360 00	-	-	1	1
9	FAN MOTOR CAPACITOR	5 μ F	513018005 00	1	1	1	1
10	TERMINAL BOARD 3 STATION		513020506 00	1	1	1	1
11	CONNECTOR MALE BLACK 6		512019912 00	1	1	1	1

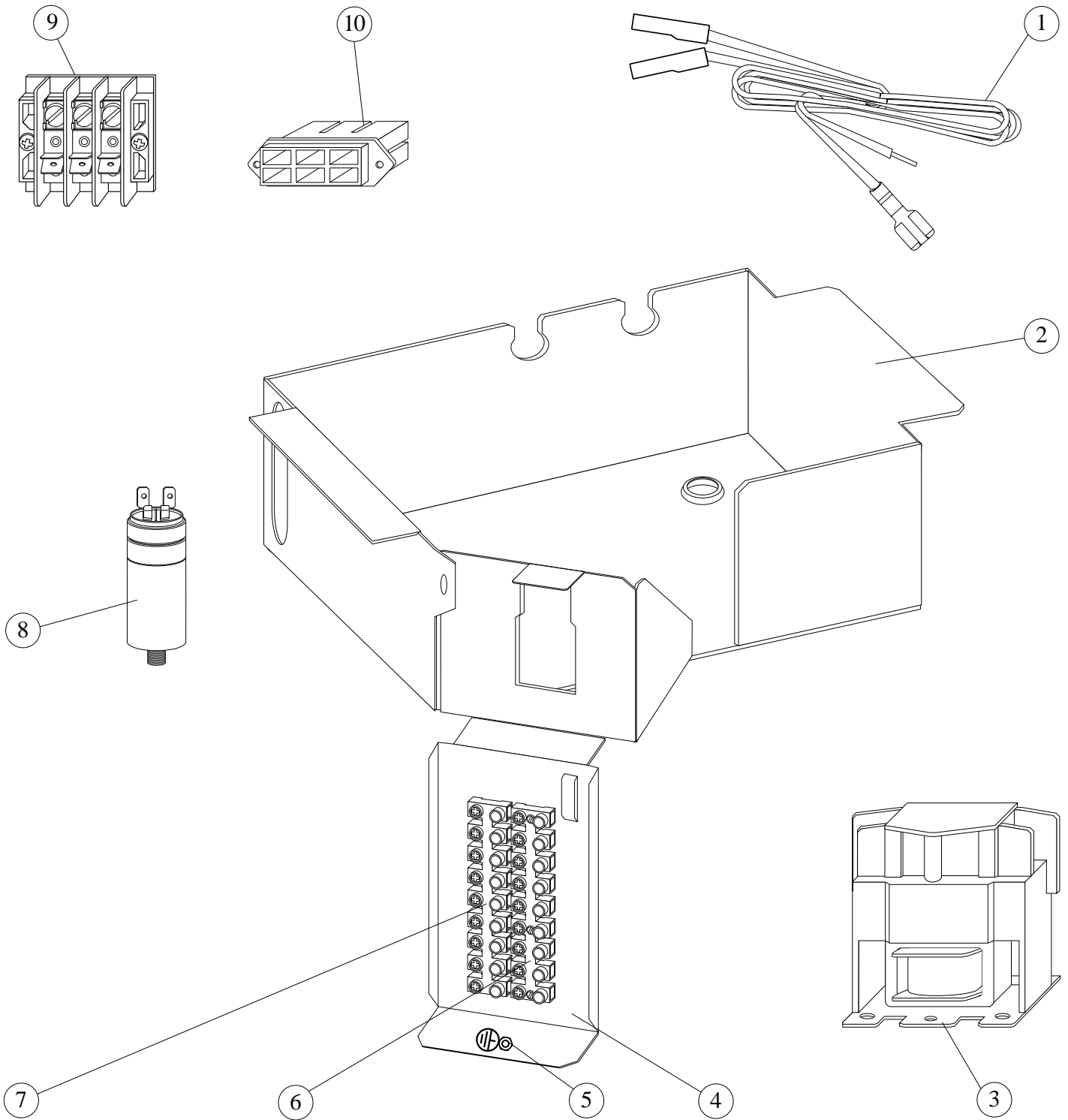


AUG. 2002 5130-26510-38

Figure 1-5 CONDENSER CONNECTION BOX ASSEMBLY AVL 25 / 35 / 50 / 60 - 1 PH

**Table 1-6 CONDENSER CONNECTION BOX ASSEMBLY AVL 25 / 35 / 50 / 60 - 3 PH
(See Fig. 1-6)**

No.	DESCRIPTION	Cat. No.	25	35	50	60
1	WIRING HARNESS ASSEMBLY	513079007 00	1	1	1	1
2	SHEET METAL BASE	513044024 00	1	1	1	1
3	CONTACTOR 3 PH	513020412 00	1	1	1	1
4	SUPPORT CONNECTION BOX	513044379 00	1	1	1	1
5	GROUND TERMINAL RING	512019225 00	1	1	1	1
6	TERMINAL BLOCK 9 POLES MALE	513020527 00	1	1	1	1
7	TERMINAL BLOCK 9 POLES FEMALE	513020528 00	1	1	1	1
8	FAN MOTOR CAPACITOR 5 μ F	513018005 00	1	1	1	1
9	TERMINAL BOARD 3 STATION	513020506 00	1	1	1	1
10	CONNECTOR MALE BLACK 6 POLES	512019912 00	1	1	1	1

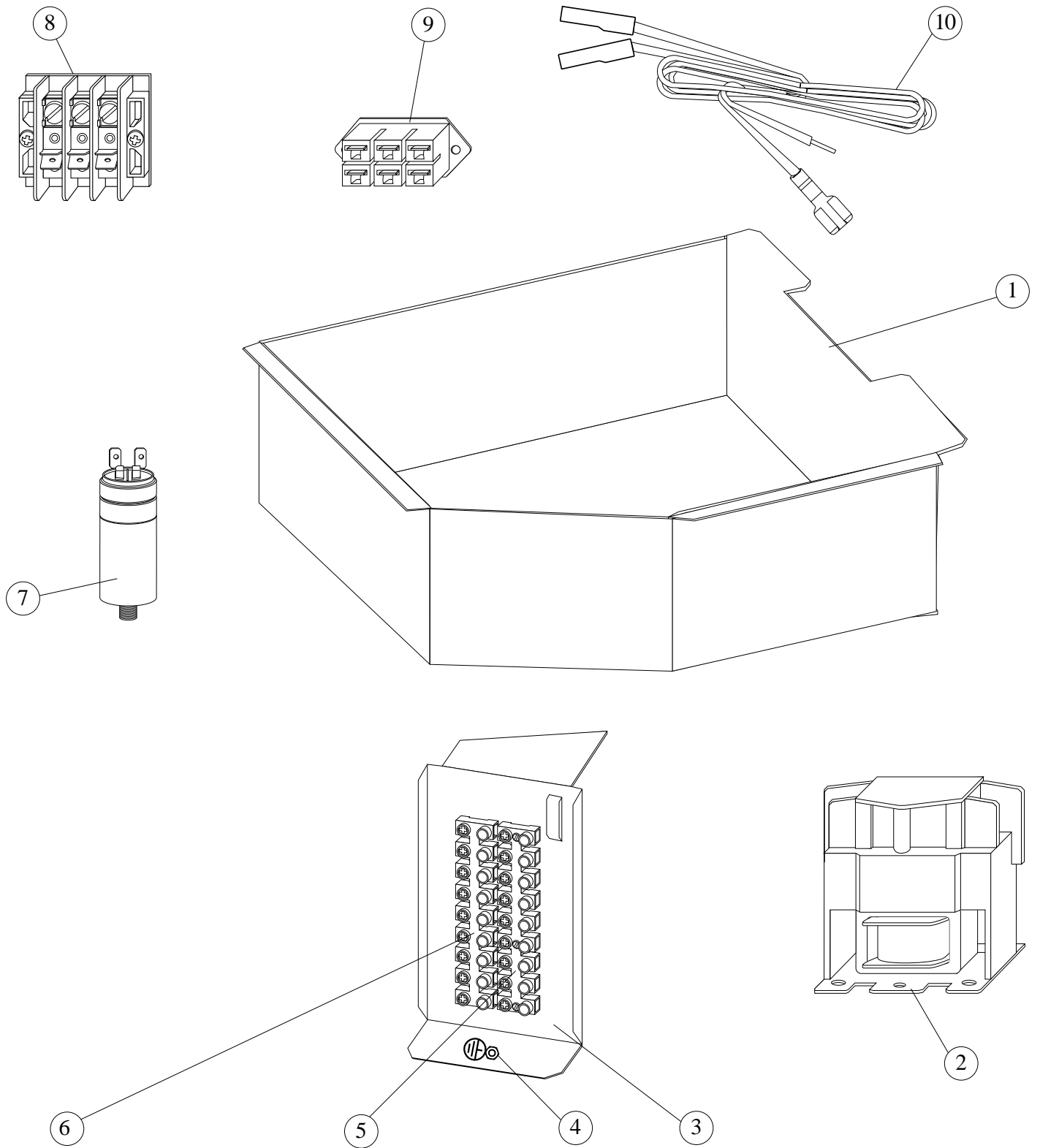


AUG. 2002 5130-26510-38

Figure 1-6 CONDENSER CONNECTION BOX ASSEMBLY AVL 25 / 35 / 50 / 60 - 3 PH

**Table 1-7 CONDENSER CONNECTION BOX ASSEMBLY AVL 753
(See Figure 1-7)**

No.	DESCRIPTION	Cat. No.	AVL 753
*	CONNECTION BOX ASSEMBLY	513083280 01	1
1	SHEET METAL BASE	513044303 00	1
2	CONTACTOR 3 PH	513020412 00	1
3	CONNECTING SUPPORT	513044311 00	1
4	GROUND TERMINAL RING	512019225 00	1
5	TERMINAL BLOCK 9 POLES MALE	513020527 00	1
6	TERMINAL BLOCK 9 POLES FEMALE	513020528 00	1
7	FAN MOTOR CAPACITOR 5 μ F	513018005 00	1
8	TERMINAL BOARD 3 STATION	513020506 00	1
9	CONNECTOR MALE BLACK 6 POLES	512019912 00	1
10	WIRING HARNESS ASSEMBLY	513079007 00	1



AUG. 2002 5130-26510-38

Figure 1-7 CONDENSER CONNECTION BOX ASSEMBLY AVL 753