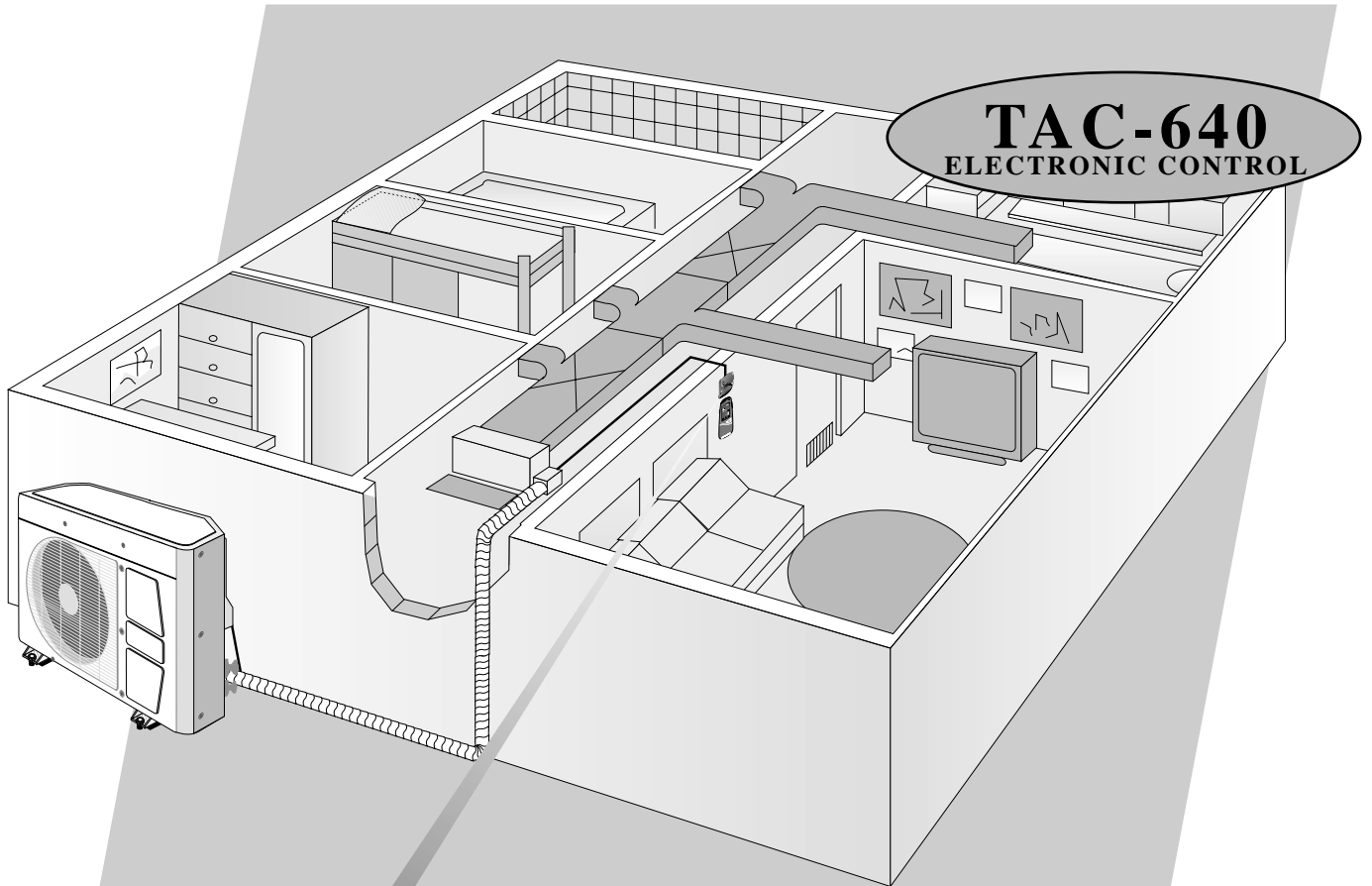


AVS 51302651023

SERVICE MANUAL

SPARE PARTS FOR AIR CONDITIONER MODELS AVS



TAC-640
ELECTRONIC CONTROL

AVS 50

AVS 60

AVS 603

AVS 753

OCT. 2002

INDEX

ILLUSTRATED PARTS LISTS

TABLES

Table 1-1 EVAPORATOR ASSEMBLY AVS 50 / 60 / 603 / 753 3
Table 1-2 ELECTRICAL BOX ASSEMBLY AVS 50 / 60 / 603 / 753 7
Table 1-3. CONDENSER ASSEMBLY AVS 50 / 60 / 603 / 753 9
Table 1-4. CONDENSER CONNECTION BOX ASSEMBLY AVS 50 / 60 12
Table 1-5. CONDENSER CONNECTION BOX ASSEMBLY AVS 603 / 753 14

FIGURES

Figure 1-1A EVAPORATOR ASSEMBLY AVS 50 / 60 / 603 / 753 5
Figure 1-1B EVAPORATOR ASSEMBLY AVS 50 / 60 / 603 / 753 6
Figure 1-2 ELECTRICAL BOX ASSEMBLY AVS 50 / 60 / 603 / 753 8
Figure 1-3. CONDENSER ASSEMBLY AVS 50 / 60 / 603 / 753 11
Figure 1-4. CONDENSER CONNECTION BOX ASSEMBLY AVS 50 / 60 13
Figure 1-5. CONDENSER CONNECTION BOX ASSEMBLY AVS 603 / 753 15

1. ILLUSTRATED PART LIST FOR AVS

Table 1-1 EVAPORATOR ASSEMBLY AVS 50 / 60 / 603 / 753
(See Figure 1-1A, 1-1B)

No.	DESCRIPTION	Cat. No.	50	60	603	753	Note
1	EVAP. COIL SYSTEM	51308470320	1	-	-	-	
	EVAP. COIL SYSTEM	51308470290	-	1	1	-	
	EVAP. COIL SYSTEM	51308470280	-	-	-	1	
2	DRAIN PAN ASSY.	51308117900	1	1	1	1	
3	ENVELOPE FRONT ASSY.	51308118000	1	1	1	1	
4	FAN DECK RIGHT ASSY.	51308118800	1	1	1	1	
5	SERVICE DOOR ASSY.	51308117400	1	1	1	1	
6	BUTTOM FRONT COVER ASSY.	51308117300	1	1	1	1	
7	DROPLETS PROTECTOR	51304114000	1	1	1	1	
8	ENVELOPE RIGHT ASSY.	51308119100	1	1	1	1	
9	FAN DECK CENTRAL	51304123300	1	1	1	1	
10	BACK COVER ASSY.	51308117700	2	2	2	2	
11	BLOWER HOUSING ASSY. RIGHT	51308118300	1	1	1	1	
12	BLOWER WHEEL RIGHT	51302131700	1	1	1	1	
13	FAN MOTOR CAPACITOR 5μF	51301800500	1	1	1	-	
	Till 1/8/02 (753) See Fig 1-1A 15μF	51301801500	-	-	-	1	
	From 1/8/02 (753) See Fig 1-1B 8μF	51301800800	-	-	-	1	
14	BLOWER HOUSING ASSY. LEFT	51308118400	1	1	1	1	
15	BLOWER WHEEL LEFT	51302131600	1	1	1	1	
16	AIR FILTER	51301242700	3	3	3	3	
17	NET PROTECTION	51304124300	1	1	1	1	
18	FAN MOTOR EVAPORATOR	51301319400	1	1	1	-	
	Till 1/8/02 (753) See Fig 1-1A	51301319500	-	-	-	1	
	From 1/8/02 (753) See Fig 1-1B	51301353100	-	-	-	1	
19	FAN DECK UNIT ASSY	51308116600	1	1	1	-	
	Till 1/8/02 (753) See Fig 1-1A	51308116700	-	-	-	1	
	From 1/8/02 (753) See Fig 1-1B	51308125400	-	-	-	1	

OCT. 2002 5130-26510-23

Table 1-1 EVAPORATOR ASSEMBLY AVS 50 / 60 / 603 / 753 (Continued)
(See Figure 1-1A, 1-1B)

No.	DESCRIPTION	Cat. No.	50	60	603	753	Note
20	BLOWER HOUSING RING	51304125000	4	4	4	4	
21	FAN DECK LEFT ASSY.	51308117600	1	1	1	1	
22	TOP FRONT COVER ASSY.	51308119500	1	1	1	1	
23	INSTALLATION HOOK	51304124000	4	4	4	4	
24	INSTALLATION ANGLE BRACKETS	51304126800	2	2	2	2	
25	AIR TUBE ADAPTOR 12"	51304177200	2	2	2	2	
26	MANIFOLD ASSY.	51305813210	1	1	1	-	
	MANIFOLD ASSY.	51305813190	-	-	-	1	
27	MANIFOLD ASSY.	51305813200	1	1	1	-	
	MANIFOLD ASSY.	51305813180	-	-	-	1	

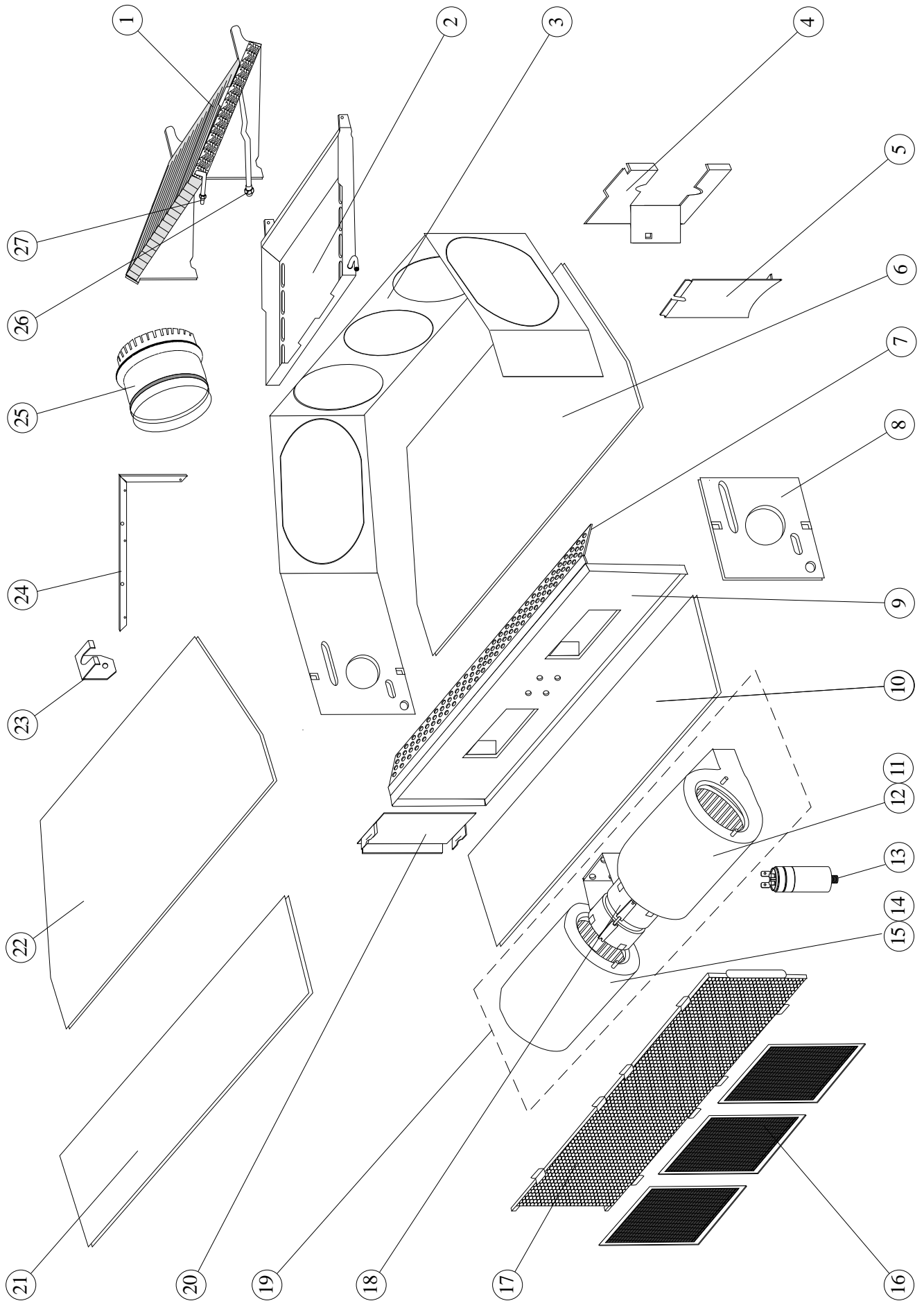


Figure 1-1A EVAPORATOR ASSEMBLY AVS 50 / 60 / 603 / 753

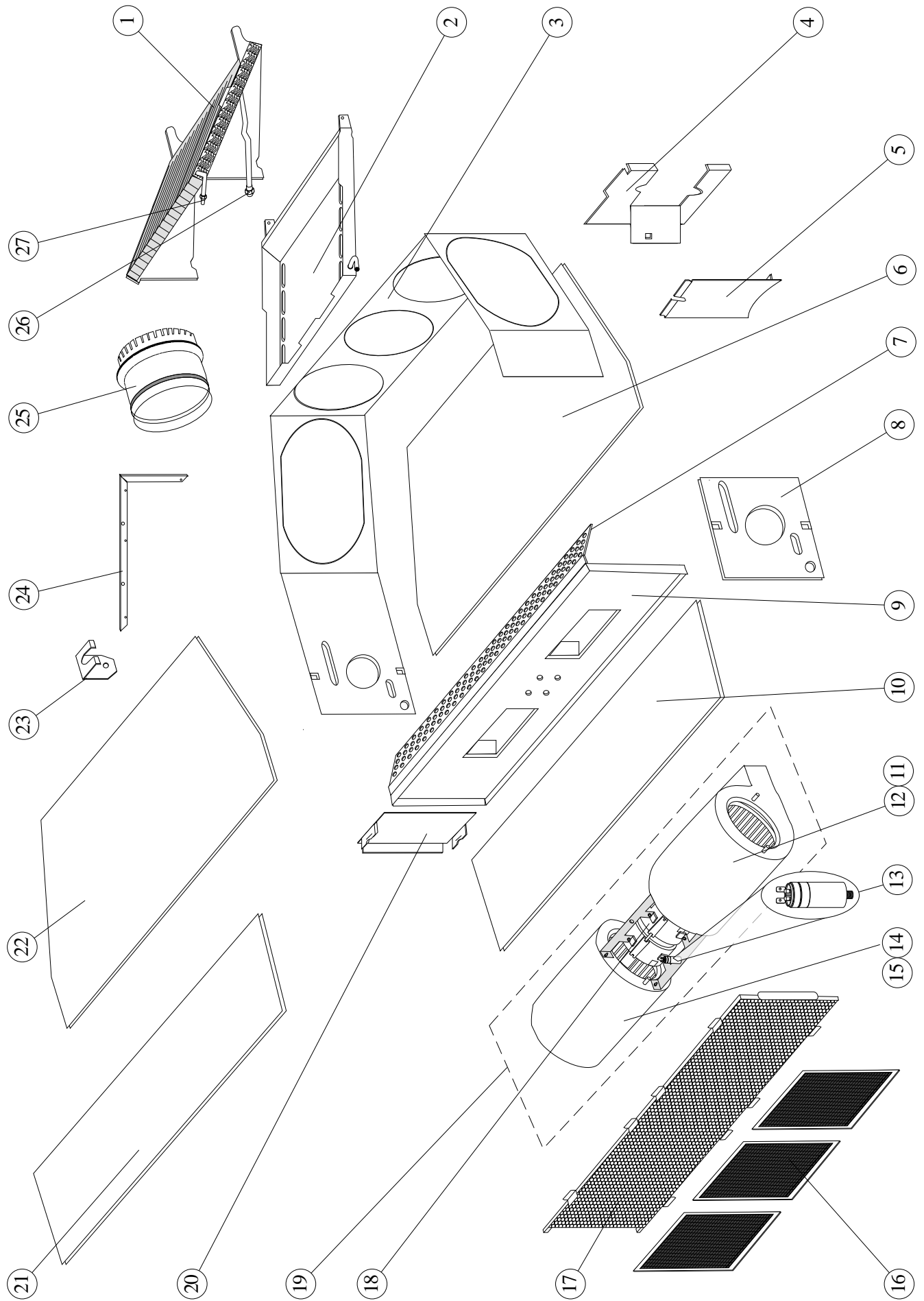


Figure 1-1B EVAPORATOR ASSEMBLY AVS 50 / 60 / 603 / 753

OCT. 2002 5130-26510-23

**Table 1-2 ELECTRICAL BOX ASSEMBLY AVS 50 / 60 / 603 / 753
(See Figure 1-2)**

No.	DESCRIPTION	Cat. No.	50	60	603	753	Note
*	ELECTRICAL BOX ASSY. 1PH/3PH	51308328606	1	1	1	1	
1	ELECTRONIC CONTROL TAC-640	51303532400	1	1	1	1	
2	6 POLES FEMALE	51302052900	1	1	1	1	
3	GROUND TERMINAL RING TONGUE	51201922500	1	1	1	1	
4	SET CLAMP CONNECTION CABLE	51307875300	2	2	2	2	
5	DISPLAY UNIT TAC-660 RTX	51303534200	1	1	1	1	
6	COMMUNICATION CABLE	51303520700	1	1	1	1	
7	REMOTE CONTROLLER TAC-490	51303504410	1	1	1	1	
8	REMOTE CONTROLLER RACK	51301280200	1	1	1	1	
9	4 POLES FEMALE	51302053000	1	1	1	1	
10	EXTENTION CABLE TH-3	51308971920	1	1	1	1	
11	SENSOR TH-2/3 0.7 m	51303502110	-	-	1	1	
12	SENSOR TH-2 1.8 m	51303502620	1	1	1	1	
13	SENSOR TH-1 1.8 m	51303502730	1	1	1	1	
14	SET CLAMP POWER SUPPLY CABLE	51307875300	1	1	1	1	
15	FUSE HOLDER	-	1	1	1	1	
16	FUSE 10A	-	1	1	1	1	
17	ELECTRICAL BOX COVER	51304124700	1	1	1	1	
18	SHEET METAL BASE	51304124600	1	1	1	1	

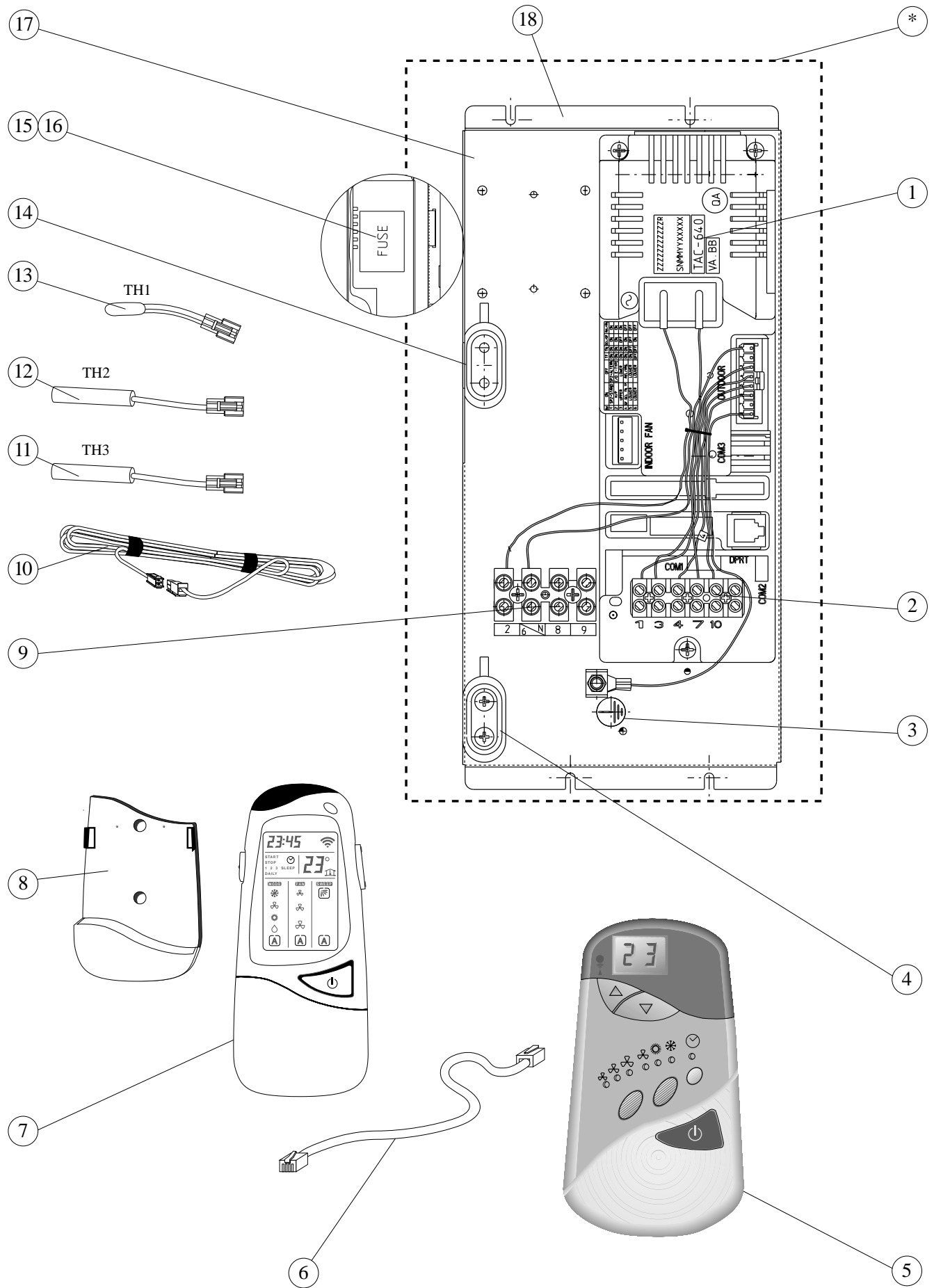


Figure 1-2 ELECTRICAL BOX ASSEMBLY AVS 50 / 60 / 603 / 753

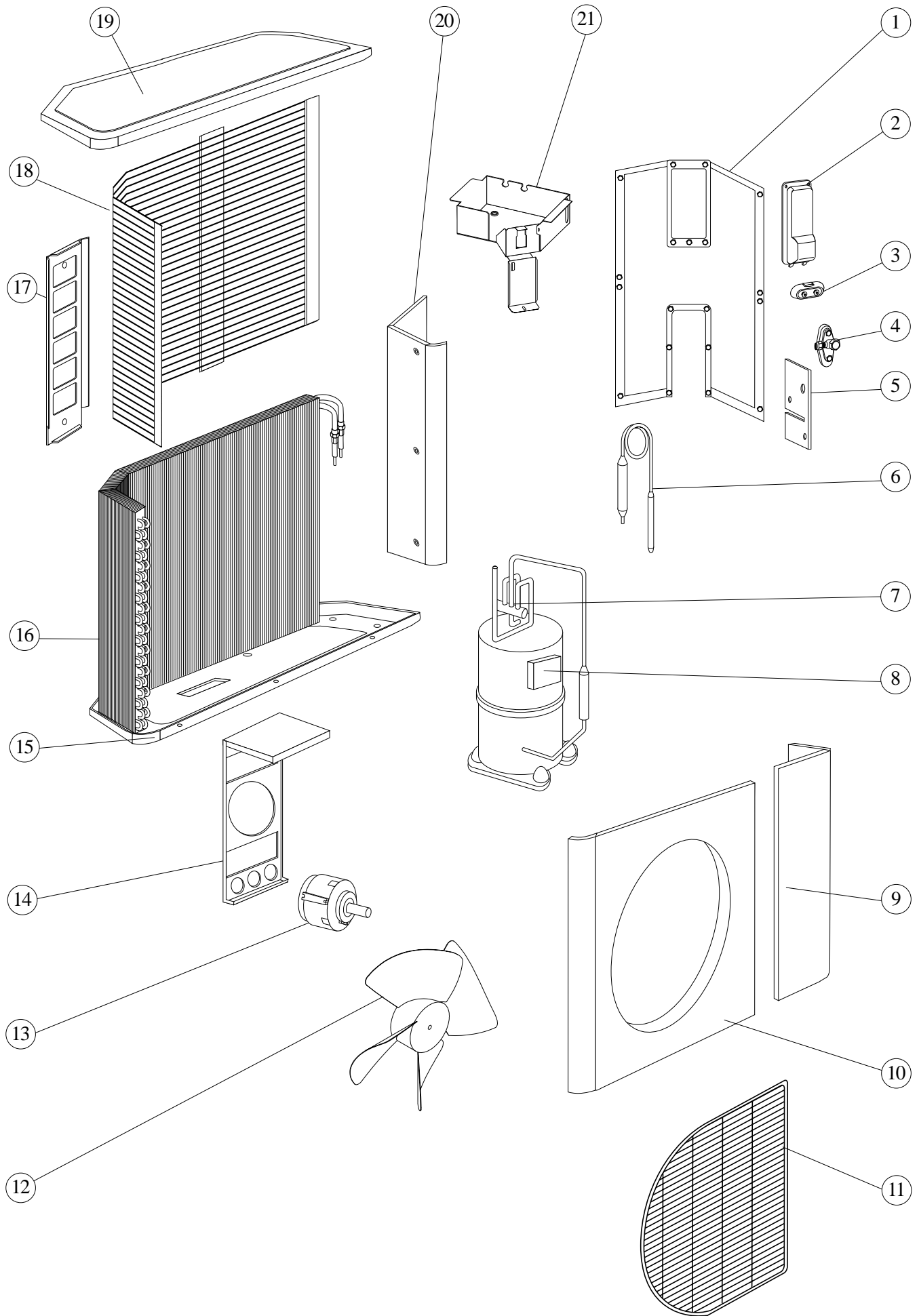
Table 1-3. CONDENSER ASSEMBLY AVS 50 / 60 / 603 / 753
(See Fig. 1-3)

No.	DESCRIPTION	Cat. No.	50	60	603	753	NOTE
1	CONTROL SIDE COVER ASSY.	51308451200	1	1	1	-	
	CONTROL SIDE COVER ASSY.	51308451600	-	-	-	1	
2	COVER FOR CONNECTION BOX	51301238100	1	1	1	1	
3	SET CLAMP CONNECTION CABLE	51307875300	1	1	1	1	
4	VALVE ASSEMBLY 3/8"	51305815250	1	1	1	-	
	VALVE ASSEMBLY 3/8"	51305815370	-	-	-	1	
	VALVE ASSEMBLY 5/8"	51305815260	1	1	1	-	
	VALVE ASSEMBLY 3/4"	51305815380	-	-	-	1	
5	VALVE BASE	51304403600	1	1	1	-	
	VALVE BASE	51304406200	-	-	-	1	
6	CAPILLARY ASSY. BRISTOL	51305885560	1	1	1	-	
	EXPANSION VALVE ASSEMBLY	51305882160	-	-	-	1	
7	VALVE ASSEMBLY	51305875950	1	1	1	-	
	VALVE ASSEMBLY	51305814450	-	-	-	1	
8	COMPRESSOR BRISTOL T28A425CBKA	51301415380	1	1	-	-	
	BRISTOL T28A505DBZA	51301415410	-	-	1	-	
	BRISTOL T28A545DBZA	51301415440	-	-	-	1	

OCT. 2002 5130-26510-23

Table 1-3. CONDENSER ASSEMBLY AVS 50 / 60 / 603 / 753 (Continued)
(See Fig. 1-3)

No.	DESCRIPTION	Cat. No.	50	60	603	753	NOTE
9	CORNER COVER ASSY.	51308451000	1	1	1	-	
	CORNER COVER ASSY.	51308460300	-	-	-	1	
10	FAN BLADES HOUSING	51304401200	1	1	1	1	
11	NET WIRE FAN BLADES	51304405400	1	1	1	1	
12	SET FAN BLADES	51302135700	1	1	1	1	
13	FAN MOTOR CONDENSER	51301321200	1	1	1	1	
14	FAN MOTOR SUPPORT	51304402100	1	1	1	1	
15	CONDENSER BASE ASSY	51304481100	1	1	1	-	
	CONDENSER BASE ASSY	51304462400	-	-	-	1	
16	CONDENSER COIL ASSY.	51308266430	1	1	1	-	
	CONDENSER COIL ASSY.	51308266480	-	-	-	1	
17	REAR SUPPORT	51304411100	1	1	1	1	
18	NET CONDENSER COIL	51301270230	1	1	1	-	
	NET CONDENSER COIL	51301270240	-	-	-	1	
19	TOP COVER CONDENSER	51304400900	1	1	1	-	
	TOP COVER CONDENSER	51308460400	-	-	-	1	
20	PARTITION CONDENSER ASSY.	51304416100	1	1	1	-	
	PARTITION CONDENSER ASSY.	51308463400	-	-	-	1	
21	CONNECTION BOX ASSEMBLY	SEE FIG. 1-4/5	1	1	1	1	

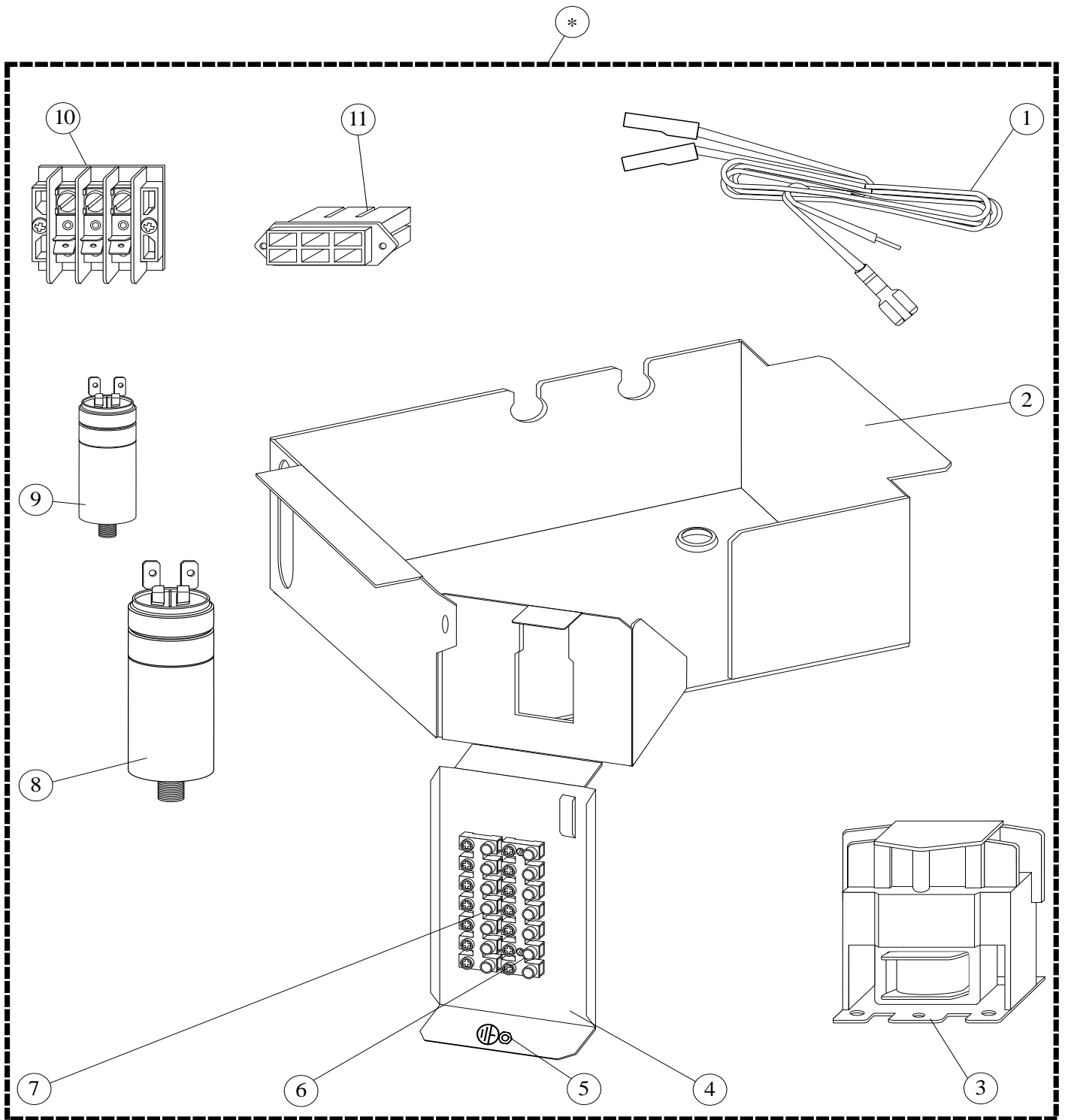


OCT. 2002 5130-26510-23

Figure 1-3. CONDENSER ASSEMBLY AVS 50 / 60 / 603 / 753

Table 1-4. CONDENSER CONNECTION BOX ASSEMBLY AVS 50 / 60
(See Fig. 1-4)

No.	DESCRIPTION	Cat. No.	50	60	Notes
*	CONNECTION BOX ASSY 1PH	51308240186	1	1	
1	WIRING HARNESS ASSEMBLY	51307900700	1	1	
2	SHEET METAL BASE	51304402400	1	1	
3	SET CONTACTOR	51307868800	2	2	
4	SUPPORT CONNECTION BOX	51304437900	1	1	
5	GROUND TERMINAL RING	51201922500	1	1	
6	TERMINAL BLOCK 7 POLES MALE	51302053300	1	1	
7	TERMINAL BLOCK 7 POLES FEMALE	51302053400	1	1	
8	COMPRESSOR CAPACITOR 60 μ F	51301836000	1	1	
9	FAN MOTOR CAPACITOR 5 μ F	51301800500	1	1	
10	TERMINAL BOARD 3 STATIONS	51302050600	1	1	
11	CONNECTOR MALE BLACK 6 POLES	51201991200	1	1	



OCT. 2002 5130-26510-23

Figure 1-4. CONDENSER CONNECTION BOX ASSEMBLY AVS 50 / 60

**Table 1-5. CONDENSER CONNECTION BOX ASSEMBLY AVS 603 / 753
(See Figure 1-5)**

No.	DESCRIPTION	Cat. No.	603	753
*	CONNECTION BOX ASSY 3PH	51308240181	1	-
		51308240191	-	1
1	SHEET METAL BOX	51304402400	1	-
		51304430300	-	1
2	CONTACTOR 3 PH	51302041200	2	2
3	CONNECTING SUPPORT	51304431100	1	1
4	GROUND TERMINAL RING	51201922500	1	1
5	TERMINAL BLOCK 7 POLES MALE	51302053300	1	1
6	TERMINAL BLOCK 7 POLES FEMALE	51302053400	1	1
7	3PH MOTOR PROTECTOR	51302024200	1	1
8	FAN MOTOR CAPACITOR 5 μ F	51301800500	1	1
9	TERMINAL BOARD 5 STATIONS	51302052100	1	1
10	CONNECTOR MALE BLACK 6 POLES	51201991200	1	1
11	WIRING HARNESS ASSEMBLY	51307900700	1	1

