

GCL - 5130-26510-06

SERVICE MANUAL

SPARE PARTS FOR AIR CONDITIONERS MODEL GCL

TAC-640
ELECTRONIC CONTROL



GCL 300
GCL 400
GCL 500
GCL 550

AUG. 2002

INDEX

ILLUSTRATED PARTS LISTS

TABLES

Table 1-1 OUTSIDE COVER ASSEMBLY - GCL MODELS 3
Table 1-2 BACK COVER AND FAN DECK ASSEMBLY GCL MODELS 5
Table 1-3 ELECTRICAL BOX ASSEMBLY GCL MODELS 7
Table 1-4 CONDENSER ASSEMBLY GCL MODELS (SHEET METAL VERSION) 9
Table 1-5 CONNECTION BOX ASSEMBLY GCL MODELS (FOR SHEET METAL CONDENSER) .. 12
Table 1-6 CONNECTION BOX ASSEMBLY GCL 550 14

FIGURES

Figure 1-1 OUTSIDE COVER ASSEMBLY - GCL MODELS 4
Figure 1-2 BACK COVER AND FAN DECK ASSEMBLY GCL MODELS 6
Figure 1-3 ELECTRICAL BOX ASSEMBLY GCL MODELS 8
Figure 1-4 CONDENSER ASSEMBLY GCL MODELS (SHEET METAL VERSION *) 11
Figure 1-5 CONNECTION BOX ASSEMBLY GCL MODELS (FOR SHEET METAL CONDENSER) .. 13
Figure 1-6 CONNECTION BOX ASSEMBLY GCL 550 15

ILLUSTRATED PARTS LISTS

Table 1-1 OUTSIDE COVER ASSEMBLY - GCL MODELS

(See Figure 1-1)

No.	DESCRIPTION	Cat. No.	GCL300	GCL400	GCL500	GCL550
*	OUTSIDE COVER ASSEMBLY	513084600 00	1	1	1	1
1	REAR STRIP ASSEMBLY	513084716 00	1	1	1	1
2	FRONT PANEL ASSEMBLY	513084715 00	1	1	1	1
3	HOLDER FOR RIGHT SIDE	513012955 00	2	2	2	2
4	RIGHT SIDE ASSY.	513084712 00	1	1	1	1
5	PLASTIC GEAR WHEEL	513012639 18	1	1	1	1
6	MOTOR PLASTIC BOX	513012958 00	1	1	1	1
7	STEPPING MOTOR	513013002 00	1	1	1	1
8	MOTOR SUPPORT	513012631 18	1	1	1	1
9	CENTRAL CATCHER FOR GRILLE	513012957 00	1	1	1	1
10	AIR FILTER 600MM RIGHT	513029165 00	1	1	1	1
11	INLET GRILLE ASSEMBLY	513012706 00	1	1	1	1
12	GRILL COVER PLUG	513009147 00	1	1	1	1
13	AIR FILTER 600MM LEFT	513029813 00	1	1	1	1
14	SIDE LATERAL FOR GRILLE	513012956 00	2	2	2	2
15	LEFT SIDE ASSEMBLY	513084713 00	1	1	1	1
16	PLASTIC BEARING LEFT	513012630 18	1	1	1	1
17	DISPLAY UNIT TAC 660 GCL	513035345 00	1	1	1	1
18	COMMUNICATION CABLE	513035234 00	1	1	1	1
19	OUTLET GRILLE ASSEMBLY	513084537 28	1	1	1	1
20	SUPPORT OUTLET GRILLE	513012642 18	2	2	2	2
*	SET MOUNTING PARTS	513078811 00	1	1	1	1
*	SET MOUNTING STRIPS FOR CEILING INSTALLATION	513078918 00	1	1	1	1

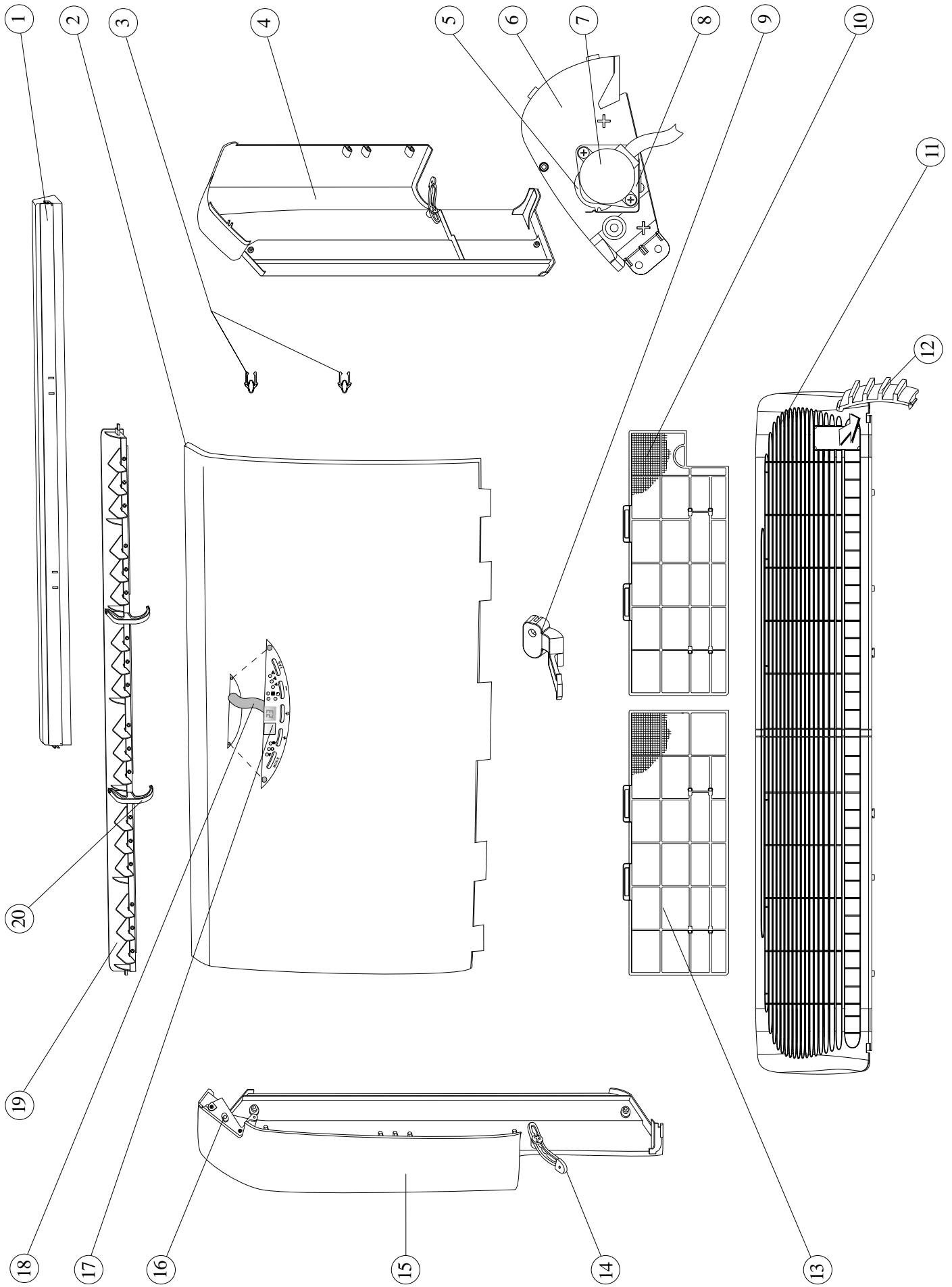


Figure 1-1 OUTSIDE COVER ASSEMBLY - GCL MODELS

Table 1-2 BACK COVER AND FAN DECK ASSEMBLY GCL MODELS

(See Figure 1-2)

No.	DESCRIPTION	Cat. No.	GCL300	GCL400	GCL500	GCL550
*	BACK COVER ASSEMBLY	513084719 00	1	1	1	1
1	EVAPORATOR PANEL RIGHT ASSY.	513084549 00	1	1	1	1
2	WIRE CLIP	512012327 00	1	1	1	1
3	SET CLAMP CONNECTION CABLE	513078753 00	1	1	1	1
4	GROMMET FOR CONNECTION CABLE	513012501 00	1	1	1	1
5	CAPACITOR CLAMP	512012333 00	1	1	1	1
6	CAPACITOR 4 μF 370V	513018304 00	1	1	1	1
7	SMALL FITTING 3/8"	513030627 05	1	1	1	1
8	LARGE FITTING 5/8" SPECIAL	513030914 05	1	1	-	-
	LARGE FITTING 3/4" SPECIAL	513030920 05	-	-	1	1
9	DRAIN PAN ASSEMBLY	513084555 00	1	1	1	1
*	FAN DECK ASSEMBLY	513084720 00	1	1	1	1
10	BLOWER HOUSING PANEL RIGHT	513012634 00	2	2	2	2
11	BLOWER WHEEL PLASTIC	513021308 00	2	2	2	2
12	BLOWER HOUSING PANEL LEFT	513012635 00	2	2	2	2
13	FAN MOTOR EVAPORATOR	513013129 00	1	1	1	-
		513013167 00	-	-	-	1
14	HOLDER FOR FAN DECK	513012954 00	2	2	2	2
15	EVAPORATOR FAN DECK	513044214 00	1	1	1	1
16	EVAPORATOR COIL SYSTEM	513083727 00	1	-	-	-
		513084701 20	-	1	-	-
		513083735 20	-	-	1	-
		513084703 70	-	-	-	1
17	PLASTIC RAIL	513012637 00	2	2	2	2
18	EVAPORATOR PANEL LEFT ASSY.	513084548 00	1	1	1	1
19	BOTTOM PLUG	513012638 18	1	1	1	1
20	BACK COVER	513044201 11	1	1	1	1
21	UPPER PLUG	513012636 18	1	1	1	1

AUG. 2002 5130-26510-06

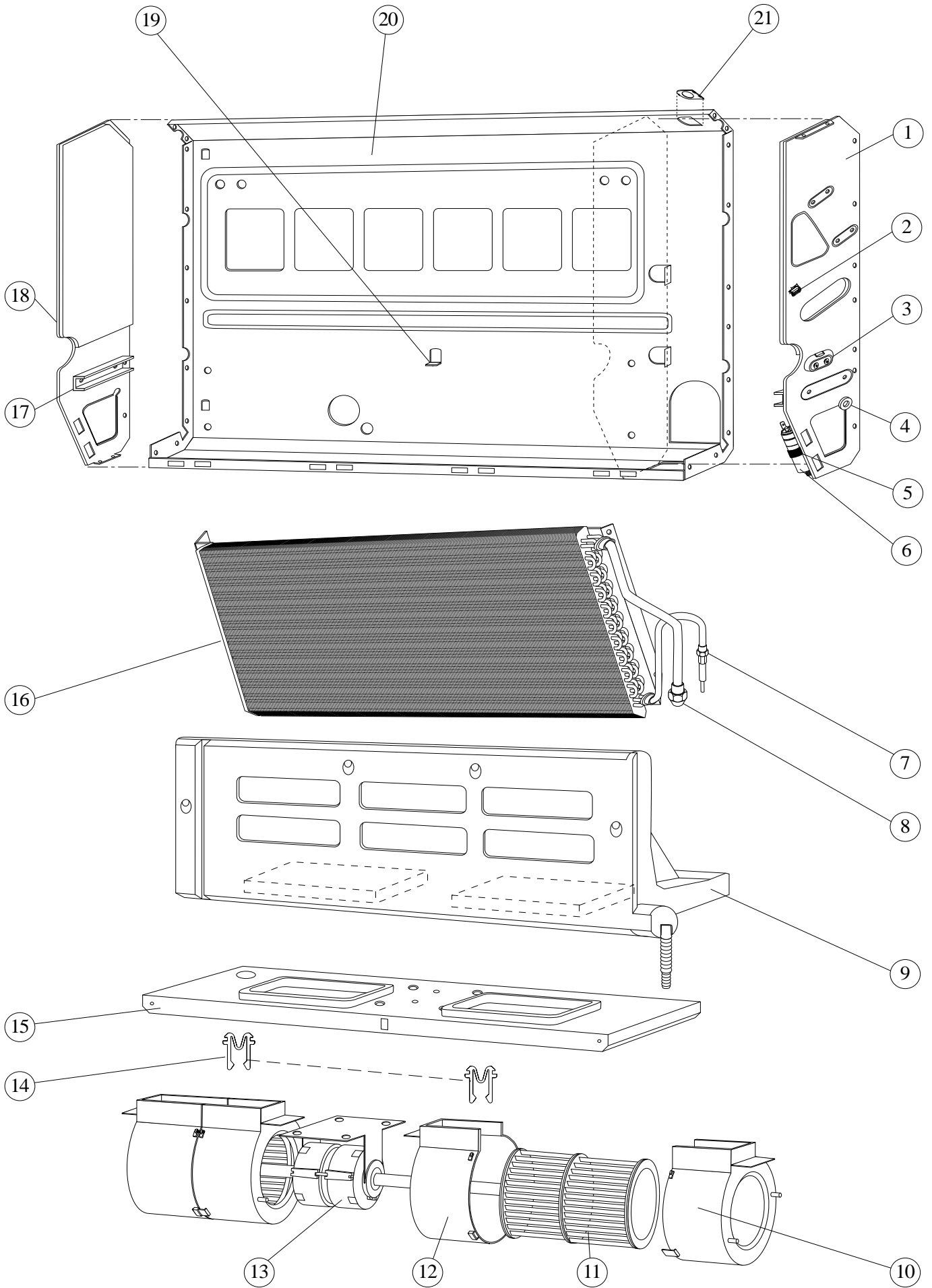


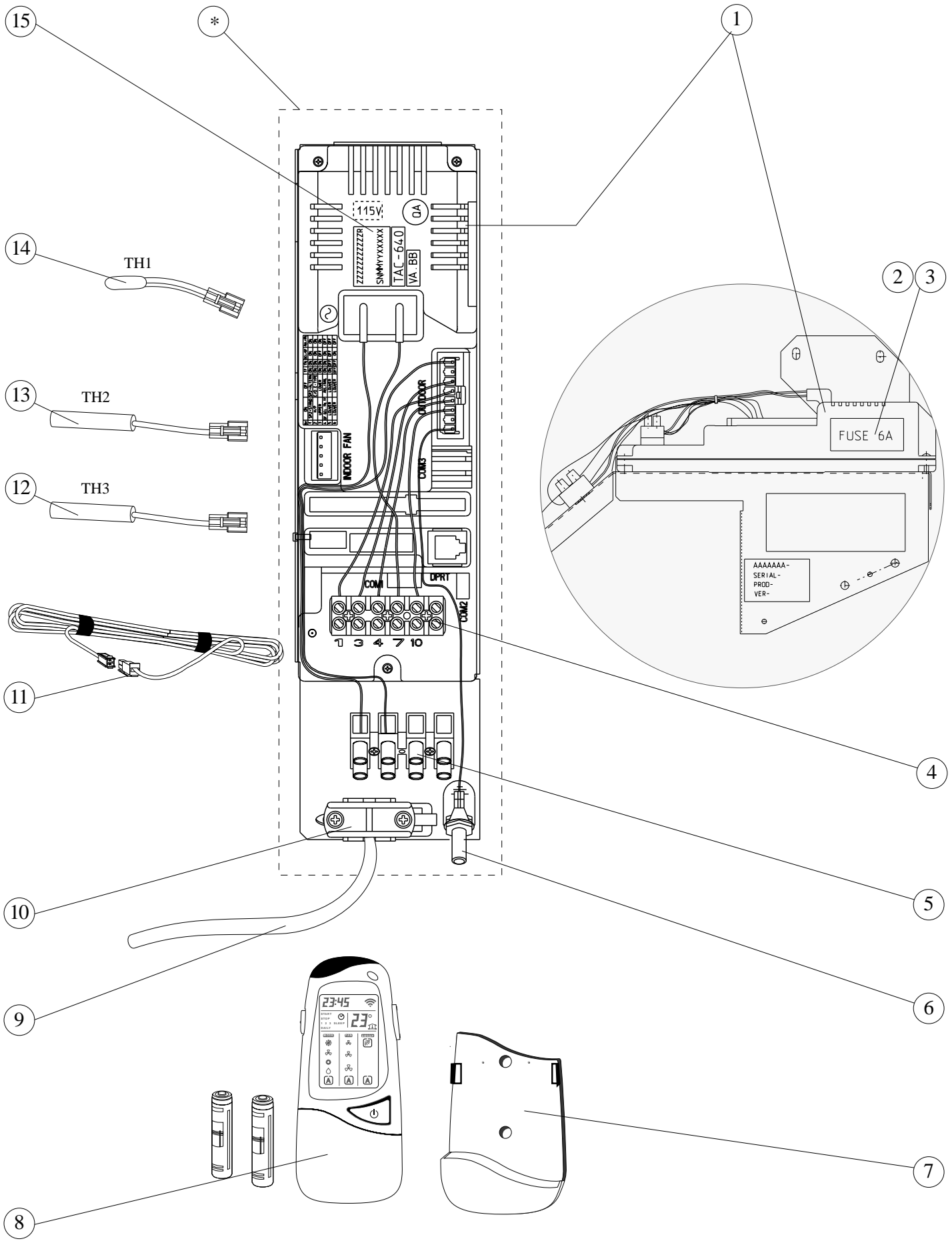
Figure 1-2 BACK COVER AND FAN DECK ASSEMBLY GCL MODELS

AUG. 2002 5130-26510-06

Table 1-3 ELECTRICAL BOX ASSEMBLY GCL MODELS

(See Fig. 1-3)

No.	DESCRIPTION	Cat. No.	GCL300	GCL400	GCL500	GCL550
*	ELECTRICAL BOX ASSY.	513082402 16	1	1	1	1
1	ELECTRICAL BOX	513044151 00	1	1	1	1
2	FUSE HOLDER	-	1	1	1	1
3	FUSE 6 A	-	1	1	1	1
4	6 POLES FEMALE	513020529 00	1	1	1	1
5	4 POLES FEMALE	513020530 00	1	1	1	1
6	SET EARTH SIGN	513078776 00	1	1	1	1
7	REMOTE CONTROL RACK	513012802 00	1	1	1	1
8	REMOTE CONTROLLER	513035044 05	1	1	1	1
9	CORDSET ASSY 25 A - 1PH	513089066 00	1	1	1	-
10	CORD CLAMP	512012199 00	1	1	1	1
11	EXTENTION CABLE TH-3	513089719 20	1	1	1	1
12	SENSOR TH-3	513035021 10	1	1	1	1
13	SENSOR TH-2	513035026 10	1	1	1	1
14	SENSOR TH-1	513035027 20	1	1	1	1
15	ELECTRONIC CONTROL	513035323 50	1	1	1	1



AUG. 2002 5130-26510-06

Figure 1-3 ELECTRICAL BOX ASSEMBLY GCL MODELS

Table 1-4 CONDENSER ASSEMBLY GCL MODELS (SHEET METAL VERSION)

(See Fig. 1-4)

No.	DESCRIPTION	Cat. No.	GCL300	GCL400	GCL500	GCL550
1	CONTROL SIDE COVER ASSY.	513084511 00	1	-	-	-
		513084512 00	-	1	1	-
		513084516 00	-	-	-	1
2	COVER FOR CONNECT. BOX	513012381 00	1	1	1	1
3	SET CLAMP CONNECT. CABLE	513078753 00	1	1	1	1
4	VALVE ASSEMBLY 3/8"	513058153 40	1	-	-	-
	3/8"	513058156 60	-	1	1	-
	NEW VERSION 3/8"	513058156 80	-	1	-	-
	5/8"	513058152 60	1	1	-	-
	3/4"	513058153 60	-	-	1	-
		513058153 70	-	-	-	1
5	VALVE BASE	513044036 00	1	1	-	-
		513044062 00	-	-	1	1
6	CAPILLARY ASSEMBLY BRISTOL H25 B353	513058680 00	1	-	-	-
	BRISTOL H29 B35U	513058851 80	1	-	-	-
	BRISTOL H28 B423	513058852 40	-	1	-	-
	BRISTOL H23 B423	513058684 00	-	1	-	-
	COPELAND	513058819 00	-	1	1	-
	COPELAND	513058814 00	-	-	1	-
	EXPANSION VALVE ASSY.	513058821 20	-	-	-	1
7	VALVE ASSEMBLY BRISTOL H23 B303	513058555 00	1	-	-	-
	BRISTOL H29 B32U	513058753 90	1	-	-	-
	COPELAND	513058324 10	-	1	-	-
	BRISTOL H28 A423	513058754 00	-	1	-	-
	BRISTOL H23 A463	513058726 00	-	-	1	-
	BRISTOL H23 A56	513058753 10	-	-	-	1
8	COMPRESSOR BRISTOL H28 B353	513014123 03	1	-	-	-
	BRISTOL H29 B35U	513014123 02	1	-	-	-
	COPELAND	513014133 50	-	1	-	-
	BRISTOL H28 A423	513014123 65	-	1	-	-
	BRISTOL H23 A463	513014123 94	-	-	1	-
	BRISTOL H23 A423 3 PH	513014323 52	-	1	-	-
	BRISTOL H23 A463 3 PH	513014323 90	-	-	1	-
BRISTOL H23 A56 3 PH	513014324 55	-	-	-	1	

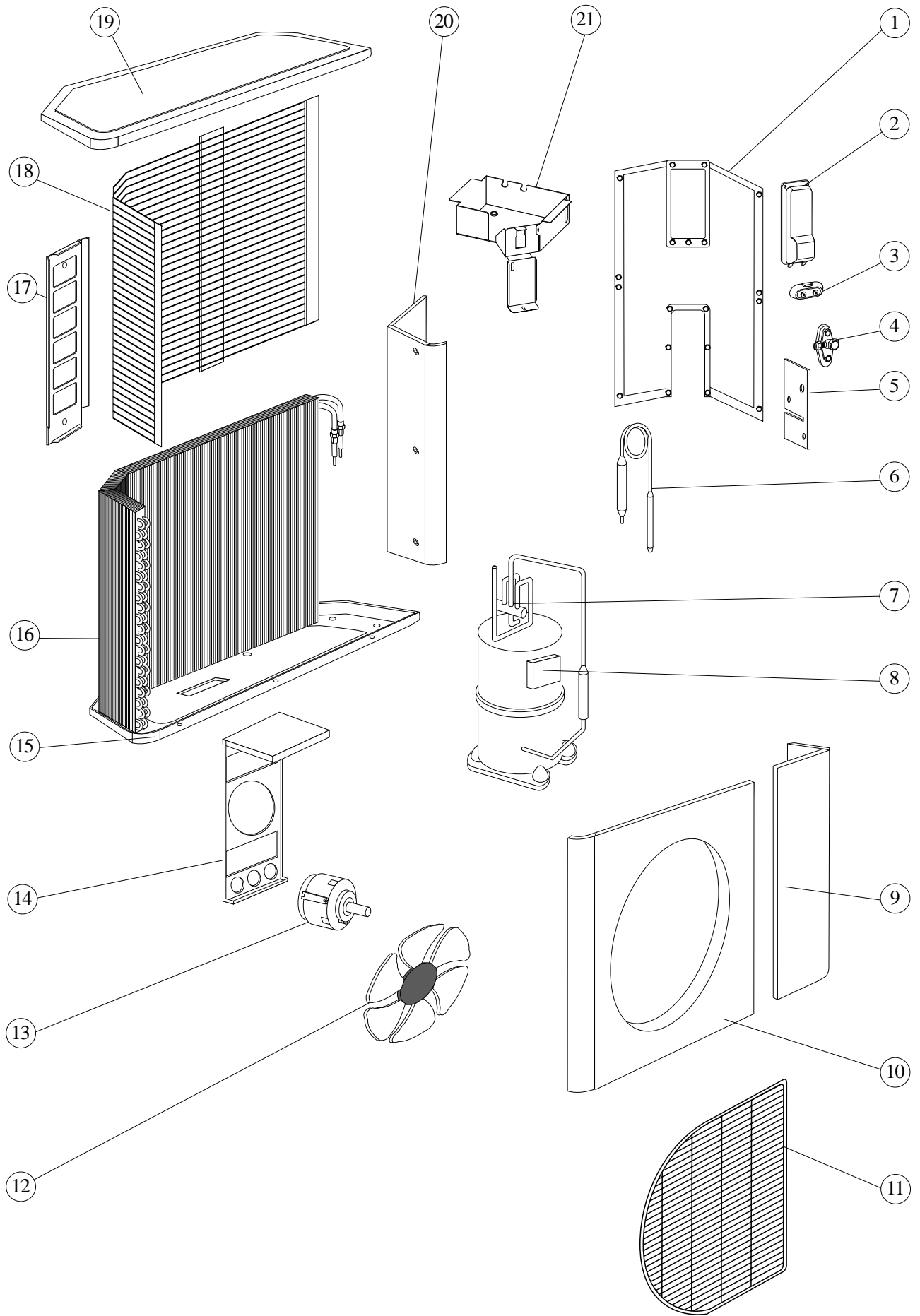
AUG. 2002 5130-26510-06

Table 1-4 CONDENSER ASSEMBLY GCL MODELS (SHEET METAL VERSION) continued

(See Fig. 1-4)

No.	DESCRIPTION	Cat. No.	GCL300	GCL400	GCL500	GCL550
9	CORNER COVER	513044013 00	1	1	1	-
		513084601 00	-	-	-	1
10	FAN BLADES HOUSING	513044011 00	1	-	-	-
		513044012 00	-	1	1	1
11	NET WIRE FAN BLADES	513044054 00	1	1	1	1
12	SET FAN BLADES	513078755 00	1	1	1	1
13	FAN MOTOR FOR CONDENSER	513013212 00	1	1	1	1
14	FAN MOTOR SUPPORT	513044021 00	1	1	1	1
15	CONDENSER BASE WELDED NEW VERSION	513044804 00	1	-	-	-
		513044805 00	-	1	1	-
		513044822 00	-	1	-	-
		513044826 00	-	-	-	1
16	CONDENSER COIL ASSEMBLY NEW VERSION BRISTOL 3PH	513083674 10	1	-	-	-
		513083686 00	-	1	-	-
		513083675 10	-	1	-	-
		513083675 70	-	-	1	-
		51082661 60	-	-	-	1
17	REAR SUPPORT	513044111 00	1	1	1	1
18	NET CONDENSER COIL	513012702 10	1	-	-	-
		513012702 30	-	1	1	-
		513012702 40	-	-	-	1
19	TOP COVER CONDENSER ASSY TOP COVER CONDENSER	513084602 00	-	-	-	1
		513044008 00	1	-	-	-
		513044009 00	-	1	1	-
20	PARTITION CONDENSER ASSY	513084509 00	1	-	-	-
		513084546 00	-	1	-	-
		513084513 00	-	-	1	-
		513084634 00	-	-	-	1
21	CONNECTION BOX ASSEMBLY	SEE FIG. 1-5	1	1	1	-
		SEE FIG. 1-6	-	-	-	1

AUG. 2002 5130-26510-06

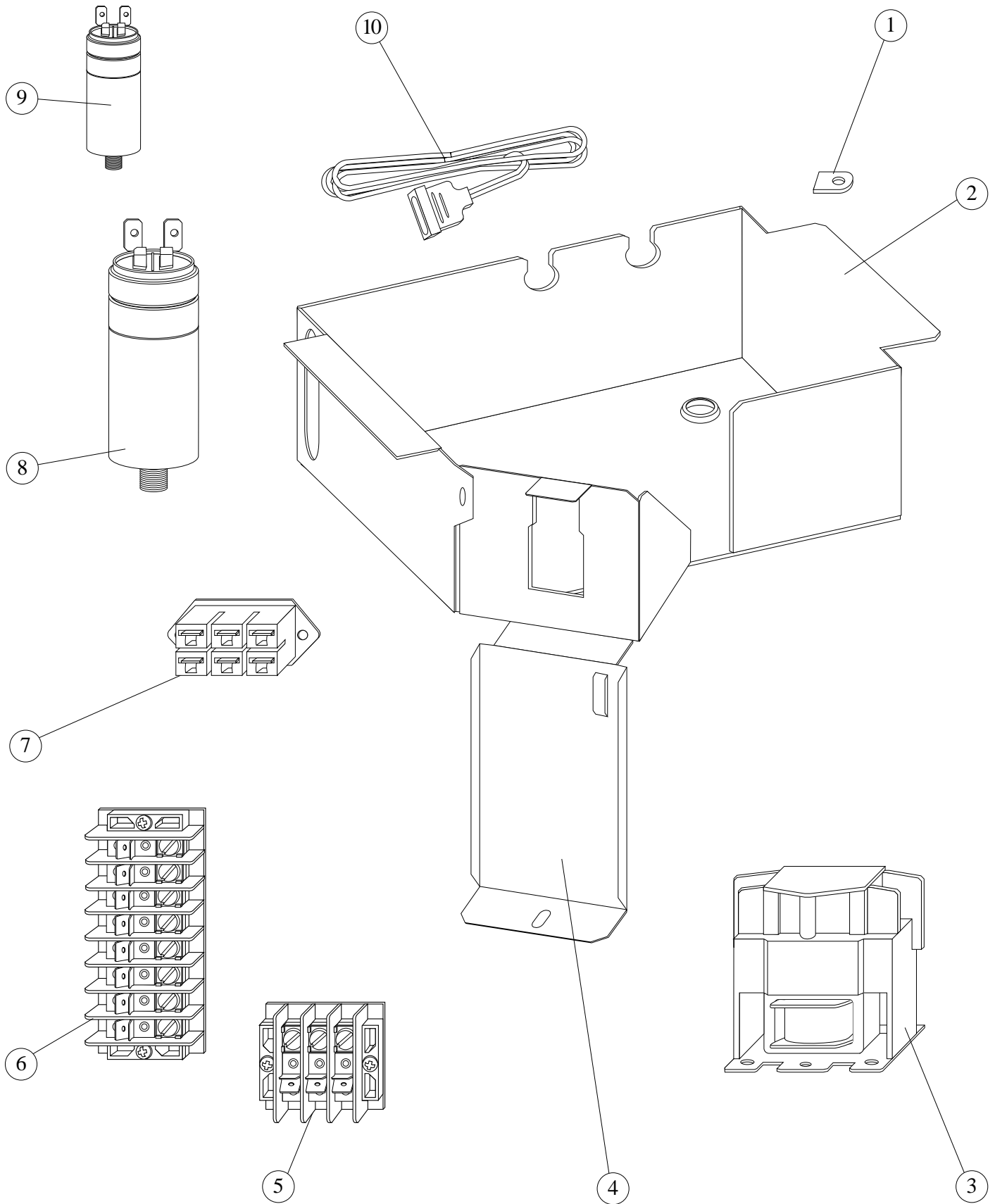


AUG. 2002 5130-26510-06

Figure 1-4 CONDENSER ASSEMBLY GCL MODELS (SHEET METAL VERSION *)

Table 1-5 CONNECTION BOX ASSEMBLY GCL MODELS (FOR SHEET METAL CONDENSER)**(See Fig. 1-5)**

No.	DESCRIPTION	Cat. No.	GCL300	GCL400	GCL500	GCL550
1	SET EARTH SIGN	513078776 00	2	2	2	-
2	CONNECTION BOX LEFT	513044024 00	1	1	1	-
3	SET CONTACTOR 1 PH	513078688 00	1	1	1	-
	3 PH	513020412 00	1	1	1	-
4	THERMOSTAT FOR HDE	513020307 00	1	1	1	-
5	SUPPORT CONNECTION BOX	513044026 00	1	1	1	-
6	TERMINAL BOARD 3 STATION	513020506 00	1	1	1	-
7	TERMINAL BOARD 7 STATION	513020504 00	1	1	1	-
8	CONNECTOR MALE BLACK 6	512019912 00	1	1	1	-
9	COMPRES.CAPACITOR. 45 μ F	513018045 00	1	-	-	-
	50 μ F	513018050 00	1	-	-	-
	60 μ F	513018060 00	-	1	-	-
	440V 45 μ F	513018445 00	-	-	1	-
10	MOTOR CAPACITOR 5 μ F	513018005 00	1	1	1	-
11	WIRING HARNESS ASSEMBLY	513079002 00	1	1	1	-

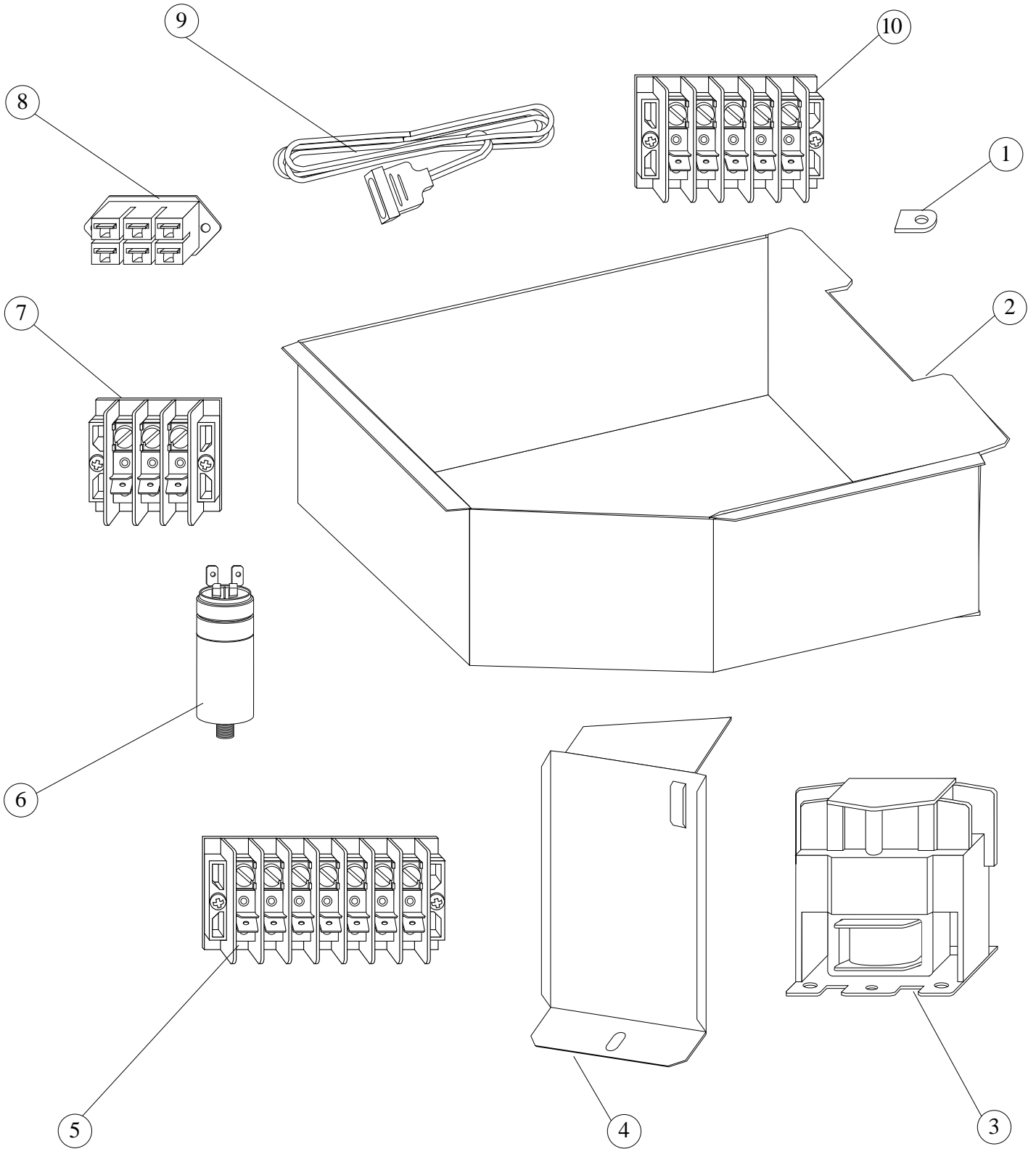


AUG. 2002 5130-26510-06

Figure 1-5 CONNECTION BOX ASSEMBLY GCL MODELS (FOR SHEET METAL CONDENSER)

Table 1-6 CONNECTION BOX ASSEMBLY GCL 550**(See Fig. 1-6)**

No.	DESCRIPTION	Cat. No.	GCL550
1	SET EARTH SIGN	513078776 00	2
2	CONNECTION BOX	513044303 00	1
3	CONTACTOR 3PH	513020412 00	1
4	SUPPORT CONNECTION BOX	513044311 00	1
5	TERMINAL BOARD 7 STATION	513020504 00	1
6	MOTOR CAPACITOR 5 μ F	513018005 00	1
7	TERMINAL BOARD 3 STATION	513020506 00	1
8	CONNECTOR MALE BLACK 6	512019912 00	1
9	WIRING HARNESS ASSEMBLY	513079001 00	1
10	TERMINAL BOARD 5 STATION	513020521 00	1



AUG. 2002 5130-26510-06

Figure 1-6 CONNECTION BOX ASSEMBLY GCL 550