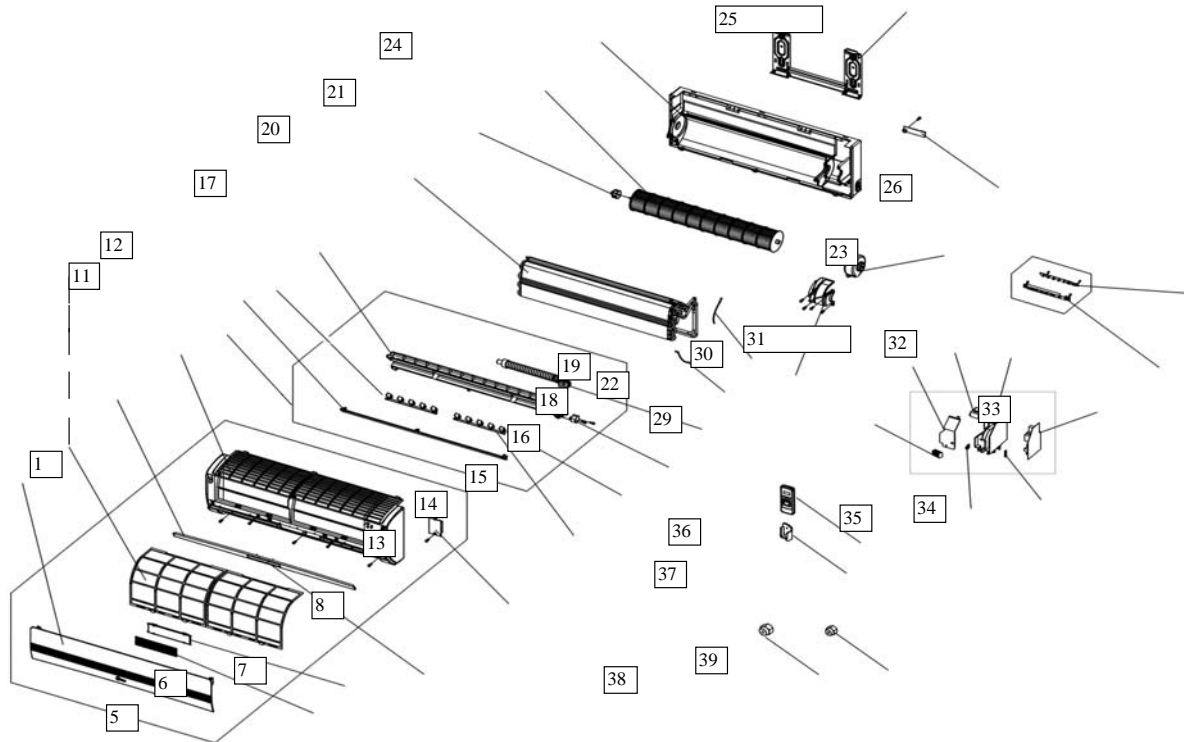
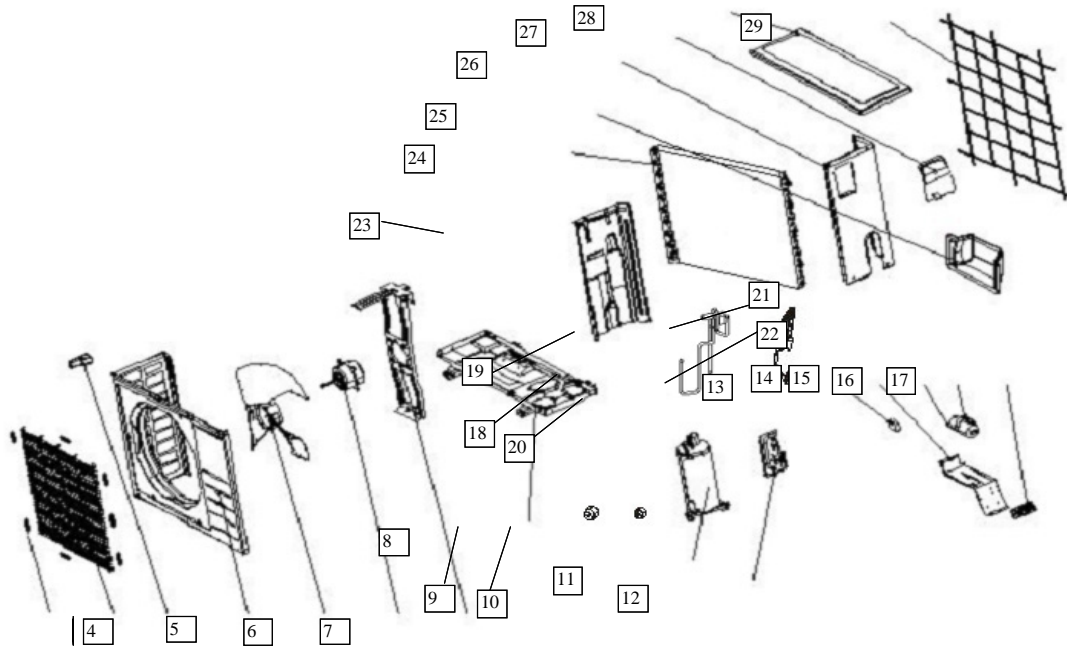


Exploded View Parts for Model TRM-07HR (2303013350) 220~240V,50Hz: ВНУТРЕННИЙ БЛОК



No.	Part Name	Quantity	Sale code	BOM Code
1	Front Panel	1	11607111017	2113031963
2	Air filter	2	11612111017	2113010229
3	Decoration bar	1	11607111018	2113031965
4	Panel frame assy	1	11607111019	2113019120
5	Air cleaner	1	10109121226	2113010212
6	Air cleaner holder	1	10109121225	2113010217
7	Indicator for LED	1	11607111020	2113031964
8	Window cover for repairing	1	11607111005	2113031364
9	Air out frame assy	1	11607111021	2113031346
10	Horizontal louver	1	11612111020	2113031304
11	Louver holder I	1	15007111011	2113031305
12	Air out frame	1	11612111021	2113031310
13	Louver holder II	1	15007111013	2113031306
14	Vertical louver	10	15007111014	2113031365
15	Louver motor	1	10121121218	2240020006
16	Drain hose	1	10109121215	2113000001
17	Evaporator	1	11607111022	2153012630
18	Evaporator temp sensor	1	10109121242	2243069051
19	Indoor temp sensor	1	10109121243	2243069052
20	Bearing seat	1	10309121220	2273010201
21	Cross Flow Fan , Ass'y	1	10309121221	2113010219
22	Motor bearing cover	1	10309121227	2113010203
23	plastic-seal motor	1	10309121226	2240030005
24	Chassis	1	11607111023	2113031347
25	Installation plate	1	11605113012	2123039002
26	Connecting pipe clamp	1	10309121225	2113010204
27	Display board , Ass'y	1	11607111027	2333019170
28	Indicator holder	1	11607111025	2113031980
29	Wire joint, 5p	1	10505111020	2243019081
30	E-part box cover	1	10318121249	2113019600
31	Transformer	1	10718121006	2230090029
32	Electric part box	1	11607111028	2113159044
33	Main control board (including Program chip)	1	11607121007	2133019084
		1	11612111059	2130073634
34	Power cord clamp	1	53309121003	2110209004
35	Wire clamp	1	10112121234	2113521303
36	Remote Controller	1	11608121014	2335506564
37	Holder, Remote Controller	1	10718121009	2113139022
38	Copper nut, TLM-B02	1	10909121013	2160032001
39	Copper nut, TLM-A01	1	10909121012	2160032000

Exploded View Parts for Model: TRM -07HR (2303512560) 220-240V~ 50Hz : НАРУЖНИЙ БЛОК



No.	Part Name	Quantity	Sale code	BOM code
1	Clamp for front net	6	10112121801	2113511801
2	Front net	1	10109121801	2123510023
3	Small handle	1	10109121802	2113500006
4	Front clapboard	1	10107121801	2123512602
5	Propeller fan	1	10109121804	2110031603
6	Fan motor	1	20407111802	2240040434
7	Holder for fan motor	1	10109121806	2123512607
8	Chassis	1	10107121803	2123519021
9	Copper nut, TLM-B02	1	10909121013	2160032001
10	Copper nut, TLM-A01	1	10909121012	2160032000
11	Compressor	1	10107121802	2140021610
12	Installation plate for valves	1	10309121809	2123512614
13	Fan motor capacitor	1	10112121815	2240119014
14	Installation board for E-parts	1	13009111005	2123519044
15	Compressor capacitor	1	10309121820	2240100402
16	Capacitor clamp	1	10109121822	2120010005
17	Wire joint	1	10109121823	2230145005
18	Gas valve assy	1	13507121801	2163519306
19	4-Way valve	1	10109121812	2160069005
20	Gas pipe valve	1	10309121810	2160072013
21	Liquid valve assy	1	13507121802	2163519304
22	Liquid pipe valve	1	10309121811	2160074018
23	Separating board	1	13008111803	2123512640
24	Condenser	1	13507121803	2153513040
25	Water collector	1	10109121815	2113520951
26	Right clapboard	1	10109121816	2123520951
27	Big handle	1	10109121817	2113510003
28	Cover	1	10109121818	2123512604
29	Rear net	1	13507111801	2113519004