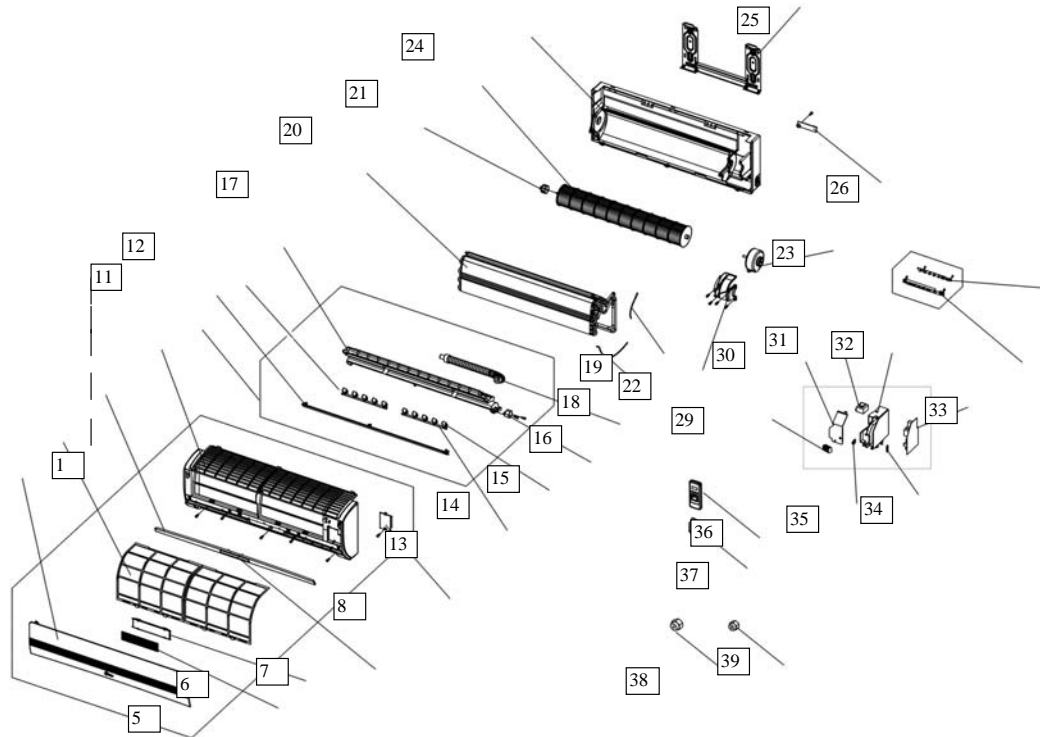
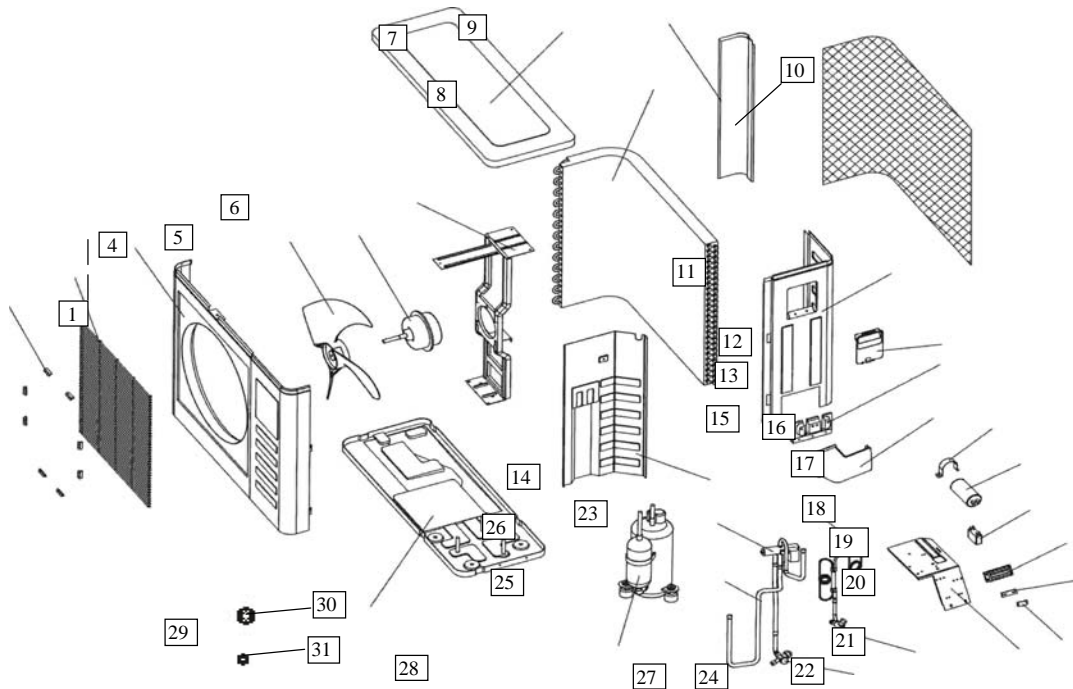


Exploded View Parts for Model TRM-09HR (2303013450) 220~240V,50Hz: ВНУТРЕННИЙ БЛОК



No.	Part Name	Quantity	Sale code	BOM Code
1	Front Panel	1	11607111017	2113031963
2	Air filter	2	11612111017	2113010229
3	Decoration bar	1	11607111018	2113031965
4	Panel frame assy	1	11607111019	2113019120
5	Air cleaner	1	10109121226	2113010212
6	Air cleaner holder	1	10109121225	2113010217
7	Indicator for LED	1	11607111020	2113031964
8	Window cover for repairing	1	11607111005	2113031364
9	Air out frame assy	1	11607111021	2113031346
10	Horizontal louver	1	11612111020	2113031304
11	Louver holder I	1	15007111011	2113031305
12	Air out frame	1	11612111021	2113031310
13	Louver holder II	1	15007111013	2113031306
14	Vertical louver	10	15007111014	2113031365
15	Louver motor	1	10121121218	2240020006
16	Drain hose	1	10109121215	2113000001
17	Evaporator	1	11607111022	2153012630
18	Evaporator temp sensor	1	10109121242	2243069051
19	Indoor temp sensor	1	10109121243	2243069052
20	Bearing seat	1	10309121220	2273010201
21	Cross Flow Fan , Ass'y	1	10309121221	2113010219
22	Motor bearing cover	1	10309121227	2113010203
23	plastic-seal motor	1	10309121226	2240030005
24	Chassis	1	11607111023	2113031347
25	Installation plate	1	11605113012	2123039002
26	Connecting pipe clamp	1	10309121225	2113010204
27	Display board , Ass'y	1	11607111027	2333019170
28	Indicator holder	1	11607111025	2113031980
29	Wire joint, 5p	1	10505111020	2243019081
30	E-part box cover	1	10318121249	2113019600
31	Transformer	1	10718121006	2230090029
32	Electric part box	1	11609121007	2113159004
33	Main control board (including Program chip)	1	11607121007	2133019084
		1	11612111058	2130073635
34	Power cord clamp	1	53309121003	2110209004
35	Wire clamp	1	10112121234	2113521303
36	Remote Controller	1	11608121014	2335506564
37	Holder, Remote Controller	1	10718121009	2113139022
38	Copper nut, TLM-B02	1	10909121013	2160032001
39	Copper nut, TLM-A01	1	10909121012	2160032000

Exploded View Parts for Model: TRM -09HR (2303512960) 220-240V~ 50Hz : ВНЕШНИЙ БЛОК



No.	Part Name	Quantity	Sale code	BOM code
1	Clamp for front net	6	10112121801	2113511801
2	Front net	1	10109121801	2123510023
3	Front clapboard	1	10409121804	2123519042
4	Propeller fan	1	10109121804	2110031603
5	Fan motor	1	20407111802	2240040434
6	Holder for fan motor	1	13709121002	2123512656
7	Cover	1	11609121807	2123512649
8	Condenser	1	10509121805	2153519040
9	Left supporter	1	11609121804	2123512651
10	Rear net	1	11609121808	2113512601
11	Right clapboard	1	11609121806	2123519041
12	Big handle	1	10109121817	2113510003
13	Installation plate for valves	1	10309121809	2123512614
14	Separating board	1	13008111803	2123512640
15	Water collector	1	10109121815	2113520951
16	Capacitor clamp	1	10109121822	2120010005
17	Compressor capacitor	1	11812113811	2240100503
18	Fan motor capacitor	1	10109121819	2240110351
19	Wire joint	1	10109121823	2230145005
20	Underlay for terminate	1	10112121817	2113500004
21	Wire clamp	1	10112121816	2121990001
22	Installation board for E-parts	1	10309121279	2123512504
23	Liquid valve assy	1	13509121801	2163529713
24	Liquid pipe valve	1	10309121811	2160074018
25	Gas valve assy	1	13509121802	2163529711
26	Reverse valve	1	10109121812	2160069005
27	Gas pipe valve	1	10309121810	2160072013
28	Compressor	1	50309121805	2140021450
29	Chassis	1	10107123802	2123512610
30	Copper nut, TLM-B02	1	10909121013	2160032001
31	Copper nut, TLM-A01	1	10909121012	2160032000