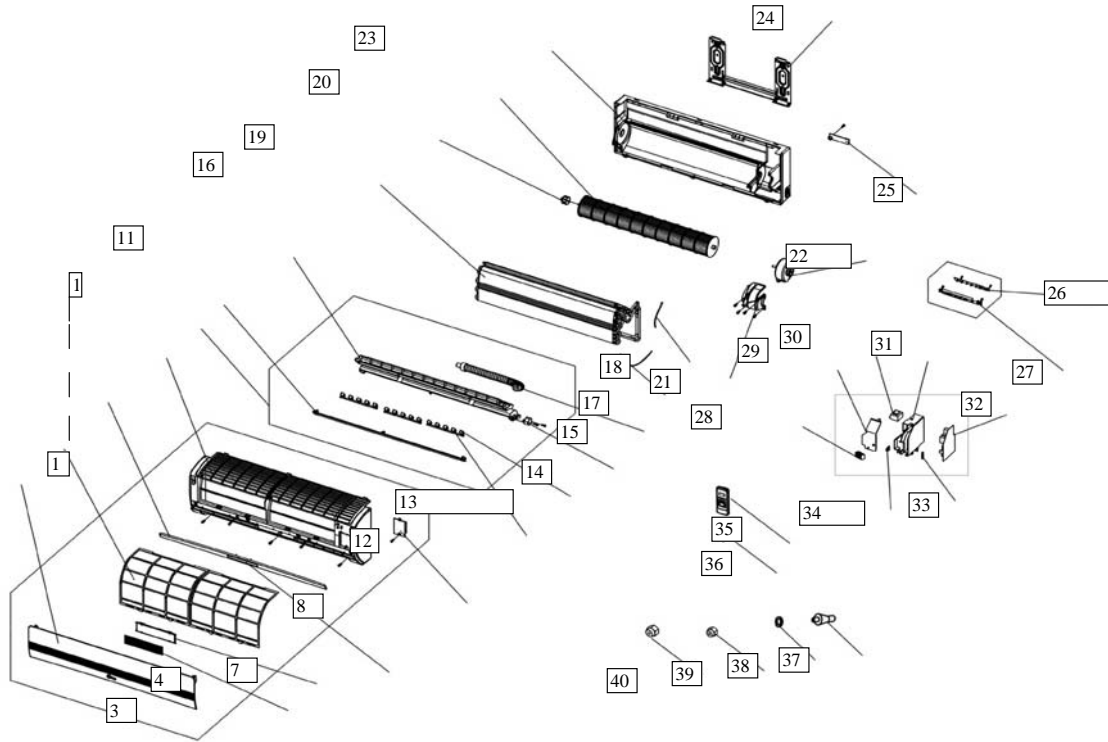
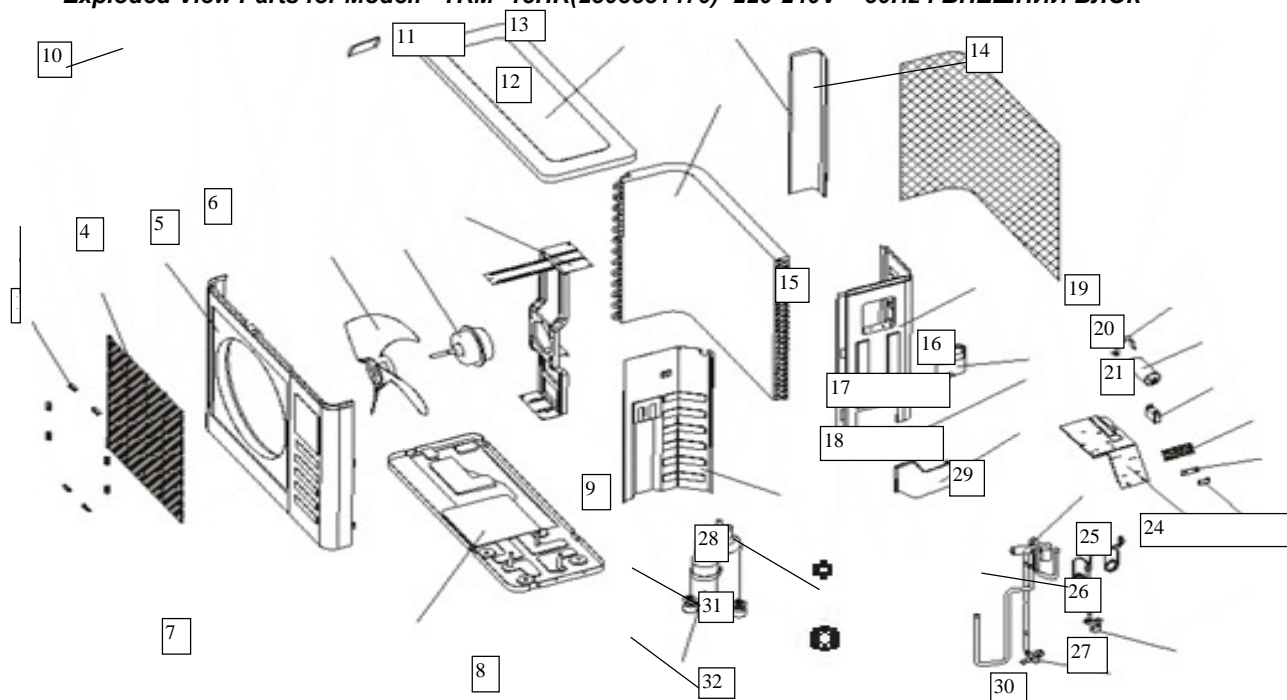


**Exploded View Parts for Model TRM -18HR(2303021650) 220~240V,50Hz: ВНУТРЕННИЙ БЛОК**



No.	Part Name	Quantity	Sale code	BOM Code
1	Front panel (Clean face)	1	11618111001	2113029185
2	Air filter	2	11618111002	2113021054
3	Air cleaner	1	10109121226	2113010212
4	Air cleaner holder	1	10109121225	2113010217
5	Decoration bar	1	11618111003	2113021063
6	Panel frame assy	1	11618111004	2113029187
7	Indicator for LED	1	11607111020	2113031964
8	Window cover for repairing	1	30012144037	2113029254
9	Air out frame assy	1	11618111006	2113021056
10	Horizontal louver	1	11618111007	2113021065
11	Air out frame	1	11618111008	2113021064
12	Grille holder	3	11618111009	2113021066
13	Vertical louver	12	12912121012	2113051553
14	Louver motor	1	10121121218	2240020006
15	Drain hose	1	10109121215	2113000001
16	Evaporator,assy	1	11618111010	2153021000
17	Evaporator temp sensor	1	10109121242	2243069051
18	Indoor temp sensor	1	10109121243	2243069052
19	Bearing holder	1	12818111015	2273050001
20	Cross flow fan,assy	1	11618111011	2110020014
21	Motor cover	1	11618111012	2113021052
22	Fan motor	1	11618111013	2240030411
23	chassis	1	11618111014	2113021057
24	Installed Plate	1	10312121215	2123050005
25	Connecting pipe clamp	1	10309121225	2113010204
26	Display board , Ass'y	1	11607111024	2333019123
27	Indicator holder	1	11607111025	2113031980
28	Wire joint, 5p	1	10124121203	2230145023
29	E-Parts box's cover	1	11618111015	2113021061
30	Transformer	1	10718121006	2230090029
31	E-Parts box	1	11618111016	2113021050
32	Main control board	1	11618121002	2133029088
	Program chip	1	11612111062	2130073651
33	Wire clamp	1	10112121234	2113521303
34	Wire Clip	1	10318121234	2113040042
35	Remote Controller	1	11608121014	2335506564
36	Holder for remote controller	1	10718121009	2113139022
37	connector for watering	1	11609121003	2110102011
38	seal	1	31009321021	2272009001
39	Copper nut, TLM-A01	1	10909121012	2160032000
40	Copper nut, TLM-C03	1	10912121019	2160032002

**Exploded View Parts for Model: TRM -18HR(2303531470) 220-240V~ 50Hz : ВНЕШНИЙ БЛОК**



<b>No.</b>	<b>Part Name</b>	<b>Quantity</b>	<b>Sale code</b>	<b>BOM code</b>
1	Clamp for front net	6	10112121801	2113511801
2	Front net	1	10109121801	2123510023
3	Front clapboard	1	13012111801	2123525264
4	Propeller fan	1	10112121803	2110030502
5	Fan motor	1	20412111801	2240040704
6	Holder for fan motor	1	10312121002	2123525214
7	Chassis	1	11612121801	2123525216
8	Compressor	1	10116113807	2140062000
9	Separating board	1	10116113813	2123525227
10	Small Handle	1	10830121811	2115029006
11	Cover	1	13012111805	2123525265
12	Condenser	1	10116123801	2153531602
13	Installation board , left	1	13012111803	2123525267
14	Rear net	1	13012111806	2113525201
15	Right clapboard	1	13012111808	2123529025
16	Big handle	1	10112121808	2113500005
17	Installation plate for valves	1	10118113805	2123500018
18	Water collector	1	10118121832	2113529005
19	Capacitor clamp	1	10112121814	2120010002
20	Compressor capacitor	1	30324313020	2240100602
21	Fan motor capacitor	1	10112121815	2240119014
22	Wire joint	1	10109121823	2230145005
23	Washer for wire joint	1	10112121817	2113500004
24	Clamp for wiring	1	10118121823	2124540027
25	Installation board for E-parts	1	10309121282	2123526710
26	High Pressure Valve Ass'y	1	11618121801	2163539111
27	Liquid pipe valve	1	10118121830	2160074022
28	Gas valve assy	1	10116123803	2163539031
29	4-ways valve	1	10312121852	2160069003
30	Low-pressure Valve	1	10312121858	2160072117
31	Copper nut, TLM-A01	1	10909121012	2160032000
32	Copper nut, TLM-C03	1	10912121019	2160032002