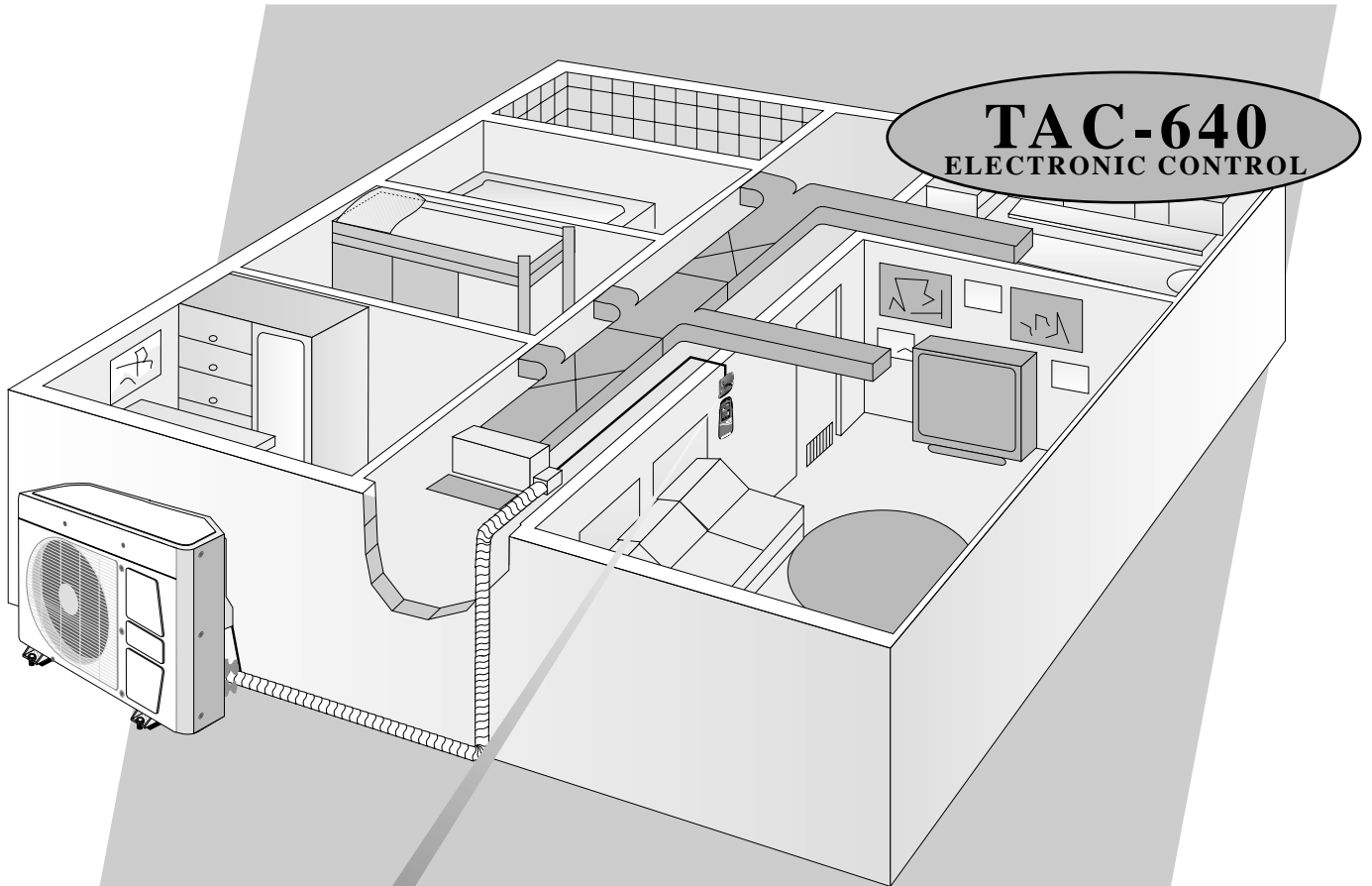


ANL-S 51302651035

# SERVICE MANUAL

SPARE PARTS FOR AIR CONDITIONER MODELS ANL



**TAC-640**  
ELECTRONIC CONTROL



**ANL-S35**

**ANL-S50**

**ANL-S60**

**ANL-S75**

**ANL-S80**

**ANL-S90**

AUG. 2002

**INDEX****ILLUSTRATED PARTS LISTS****TABLES**

Table 1-1	EVAPORATOR ASSEMBLY ANL-S 35 / 50 / 60 / 75 / 80 / 90 .....	3
Table 1-2.	ELECTRICAL CONTROL BOX ANL-S 35 / 50 / 60 / 75 / 80 / 90 .....	6
Table 1-3.	REMOTE CONTROLLER ANL-S 35 / 50 / 60 / 75 / 80 / 90.....	8
Table 1-4.	CONDENSER ASSEMBLY ANL-S 35 / 50 / 60 / 75 .....	10
Table 1-5.	CONDENSER CONNECTION BOX ASSEMBLY ANL-S 35 / 50 / 60 .....	13
Table 1-6.	CONDENSER CONNECTION BOX ASSEMBLY ANL-S 753 .....	15
Table 1-7.	CONDENSER ASSEMBLY ANL-S 80 / 90 .....	17
Table 1-8.	CONDENSER CONNECTION BOX ASSEMBLY ANL-S 80 / 90 .....	19

**FIGURES**

Figure 1-1	EVAPORATOR ASSEMBLY ANL-S 35 / 50 / 60 / 75 / 80 / 90 .....	5
Figure 1-2.	ELECTRICAL CONTROL BOX ANL-S 35 / 50 / 60 / 75 / 80 / 90 .....	7
Figure 1-3.	REMOTE CONTROLLER ANL-S 35 / 50 / 60 / 75 / 80 / 90.....	9
Figure 1-4.	CONDENSER ASSEMBLY ANL-S 35 / 50 / 60 / 75 .....	12
Figure 1-5.	CONDENSER CONNECTION BOX ASSEMBLY ANL-S 35 / 50 / 60 .....	14
Figure 1-6.	CONDENSER CONNECTION BOX ASSEMBLY ANL-S 753 .....	16
Figure 1-7.	CONDENSER ASSY. ANL-S 80 / 90 .....	18
Figure 1-8.	CONDENSER CONNECTION BOX ASSEMBLY ANL-S 80 / 90 .....	20

**ILLUSTRATED PARTS LISTS**

**Table 1-1 EVAPORATOR ASSEMBLY ANL-S 35 / 50 / 60 / 75 / 80 / 90**  
**(See Figure 1-1)**

No.	DESCRIPTION	Cat. No.	35	50	60	75	80	90
1	AIR FILTER	513029089 00	1	1	1	-	-	-
		513029088 00	-	-	-	1	1	1
2	TOP PANEL ASSY.	513081128 00	1	1	1	-	-	-
		513081121 00	-	-	-	1	1	1
3	DROP COLLECTOR	513029078 00	-	-	1	-	-	-
		513029079 00	-	-	-	1	1	1
4	DOOR ASSY.	513081145 00	2	2	2	2	2	2
5	COVER PLASTIC ASSY.	513081147 00	2	2	1	1	1	1
6	FAN MOTOR EVAPORATOR	513013191 00	1	1	-	-	-	-
		513013192 00	-	-	1	-	-	-
		513013193 00	-	-	-	1	1	1
7	FAN MOTOR CAPACITOR	8 $\mu$ F 400V	513018008 00	1	-	-	-	-
		5 $\mu$ F 400V	513018005 00	-	1	-	-	-
		10 $\mu$ F 400V	513018010 00	-	-	1	-	-
		15 $\mu$ F 370V	513018015 00	-	-	-	1	1
8	BLOWER UNIT ASSY. RIGHT OPTION	513081161 00	1	1	-	-	-	-
		513081163 00	-	-	1	-	-	-
		513081165 00	-	-	-	1	1	1
9	DRAIN PAN ASSY.	513081234 00	1	1	1	-	-	-
		513081233 00	-	-	-	1	1	1
10	BLANK PANEL	513041203 00	1	1	1	1	1	1
11	SUPPORT	513041206 00	2	2	2	2	2	2
12	RIGHT SIDE ASSY.	513081133 00	1	1	1	1	1	1
13	ANGLE	513041201 00	2	2	2	2	2	2
14	FRONT PANEL ASSY.	513081707 00	1	1	1	-	-	-
		513081705 00	-	-	-	1	1	1

AUG. 2002 5130-26510-35

**Table 1-1 EVAPORATOR ASSEMBLY ANL-S 35 / 50 / 60 / 75 / 80 / 90 (Continued)**  
**(See Figure 1-1)**

No.	DESCRIPTION	Cat. No.	35	50	60	75	80	90
15	LEFT SIDE ASSY.	513081134 00	1	1	1	1	1	1
16	DOOR OPENING HANDLE	513041210 00	1	1	1	1	1	1
17	DRAIN TUBE ASSY.	513081252 00	1	1	1	1	1	1
18	FITTING PANEL RIGHT OPTION	513081142 00	1	1	1	1	1	1
19	E.P.S DRAIN PAN ASSY.	513081709 00	1	1	1	-	-	-
		513081708 00	-	-	-	1	1	1
20	SUCTION TUBE ASSY. RIGHT OPTION	513058158 10	1	1	-	-	-	-
		513058158 30	-	-	1	-	-	-
		513058158 70	-	-	-	1	-	-
		513058742 00	-	-	-	-	1	1
21	DISCHARGE TUBE ASSY. RIGHT OPTION	513058158 50	1	1	1	-	-	-
		513058158 80	-	-	-	1	1	1
22	EVAPORATOR COIL SYSTEM RIGHT OPTION	513084702 10	1	1	-	-	-	-
		513084702 30	-	-	1	-	-	-
		513084703 50	-	-	-	-	1	-
		513084702 70	-	-	-	1	-	-
		513084703 50	-	-	-	-	-	1
23	ANGLE	513041202 00	2	2	2	2	2	2

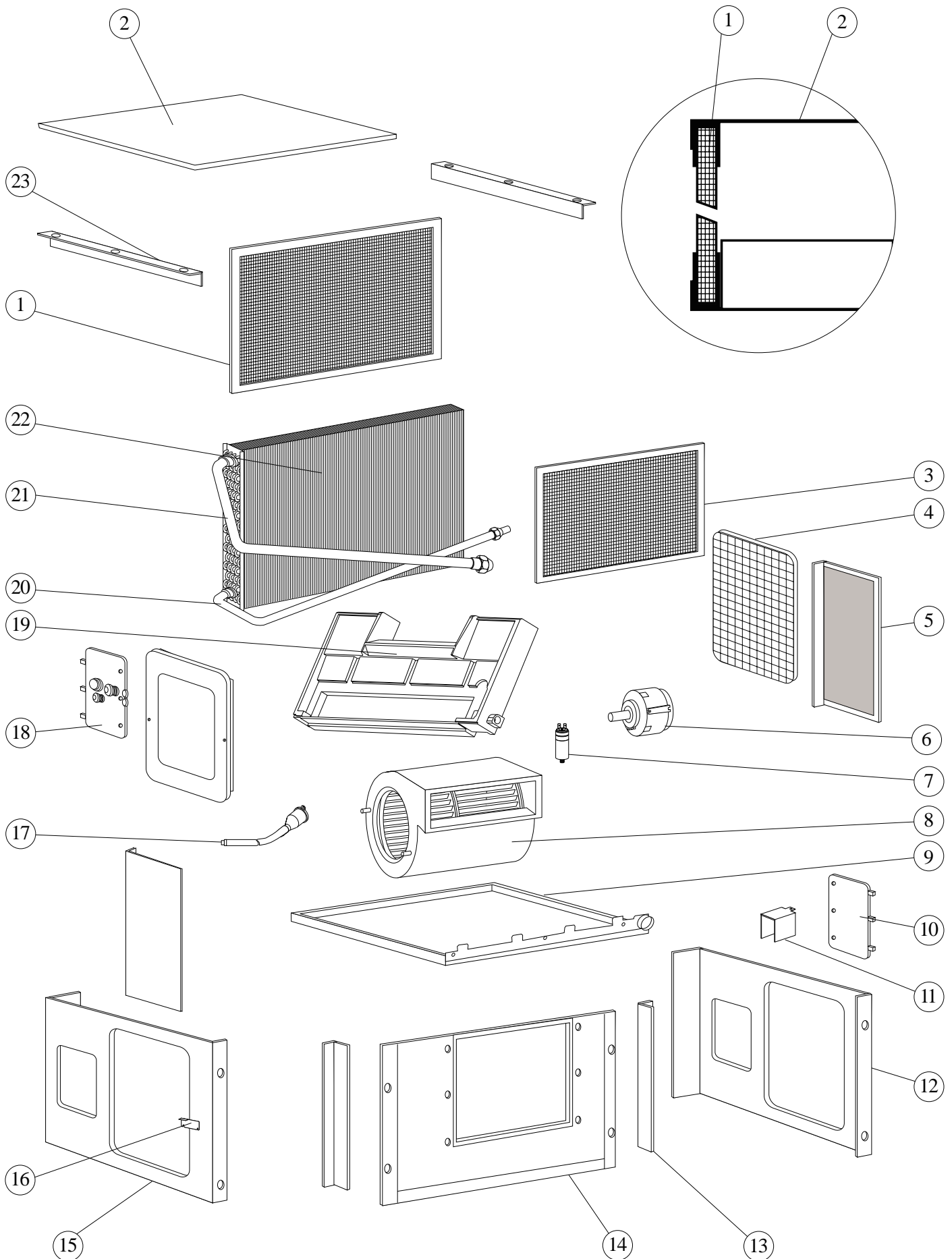
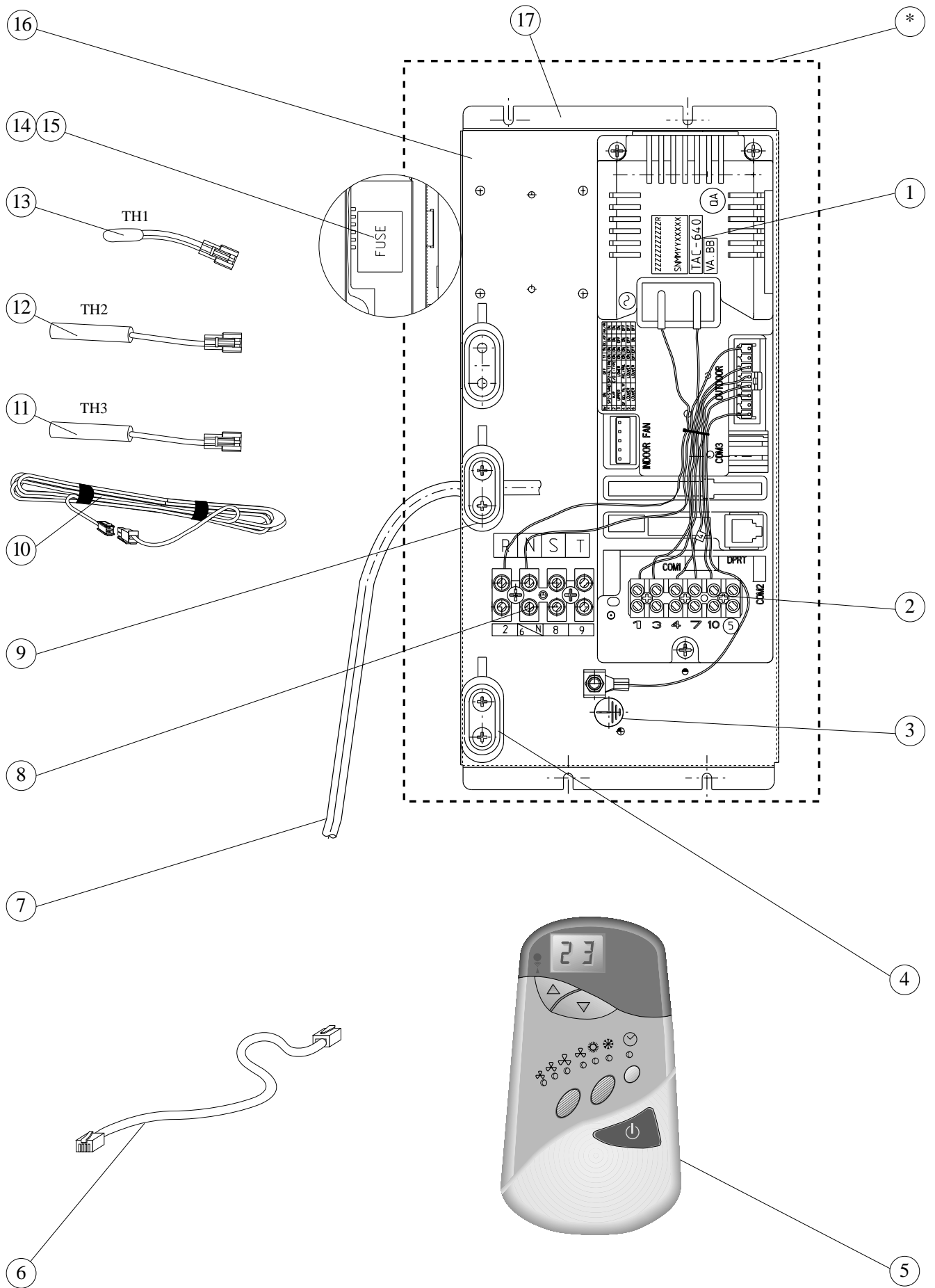


Figure 1-1 EVAPORATOR ASSEMBLY ANL-S 35 / 50 / 60 / 75 / 80 / 90

**Table 1-2. ELECTRICAL CONTROL BOX ANL-S 35 / 50 / 60 / 75 / 80 / 90**  
**(See Figure 1-2)**

No.	DESCRIPTION	Cat. No.	35	50	60	75	80	90
*	ELECTRICAL BOX ASSY. 3PH 1PH	513083289 11	1	1	1	1	1	1
		513083289 16	1	1	1	-	-	-
1	ELECTRONIC CONTROL TAC-640	513035323 50	1	1	1	1	1	1
2	6 POLES FEMALE	513020529 00	1	1	1	1	1	1
3	GROUND TERMINAL RING TONGUE	512019225 00	1	1	1	1	1	1
4	SET CLAMP CONNECTION CABLE	513078752 00	2	2	2	2	2	2
5	DISPLAY UNIT TAC-660 RTX	513035342 00	1	1	1	1	1	1
6	COMMUNICATION CABLE	513035207 00	1	1	1	1	1	1
7	CORDSET ASSY. 25A-1PH	513089066 00	1	1	1	-	-	-
8	4 POLES FEMALE	513020530 00	1	1	1	1	1	1
9	SET CLAMP POWER SUPPLY CABLE	513078753 00	1	1	1	1	1	1
10	EXTENTION CABLE TH-3	513089719 20	1	1	1	1	1	1
11	SENSOR TH-2/3 1.8 m 0.7 m	513035021 30	-	-	-	1	1	1
		513035021 10	1	1	1	-	-	-
12	SENSOR TH-2 1.8 m	513035026 20	1	1	1	1	1	1
13	SENSOR TH-1 1.8 m	513035027 30	1	1	1	1	1	1
14	FUSE HOLDER	-	1	1	1	1	1	1
15	FUSE 10A	-	1	1	1	1	1	1
16	ELECTRICAL BOX COVER	513041247 00	1	1	1	1	1	1
17	SHEET METAL BASE	513041246 00	1	1	1	1	1	1



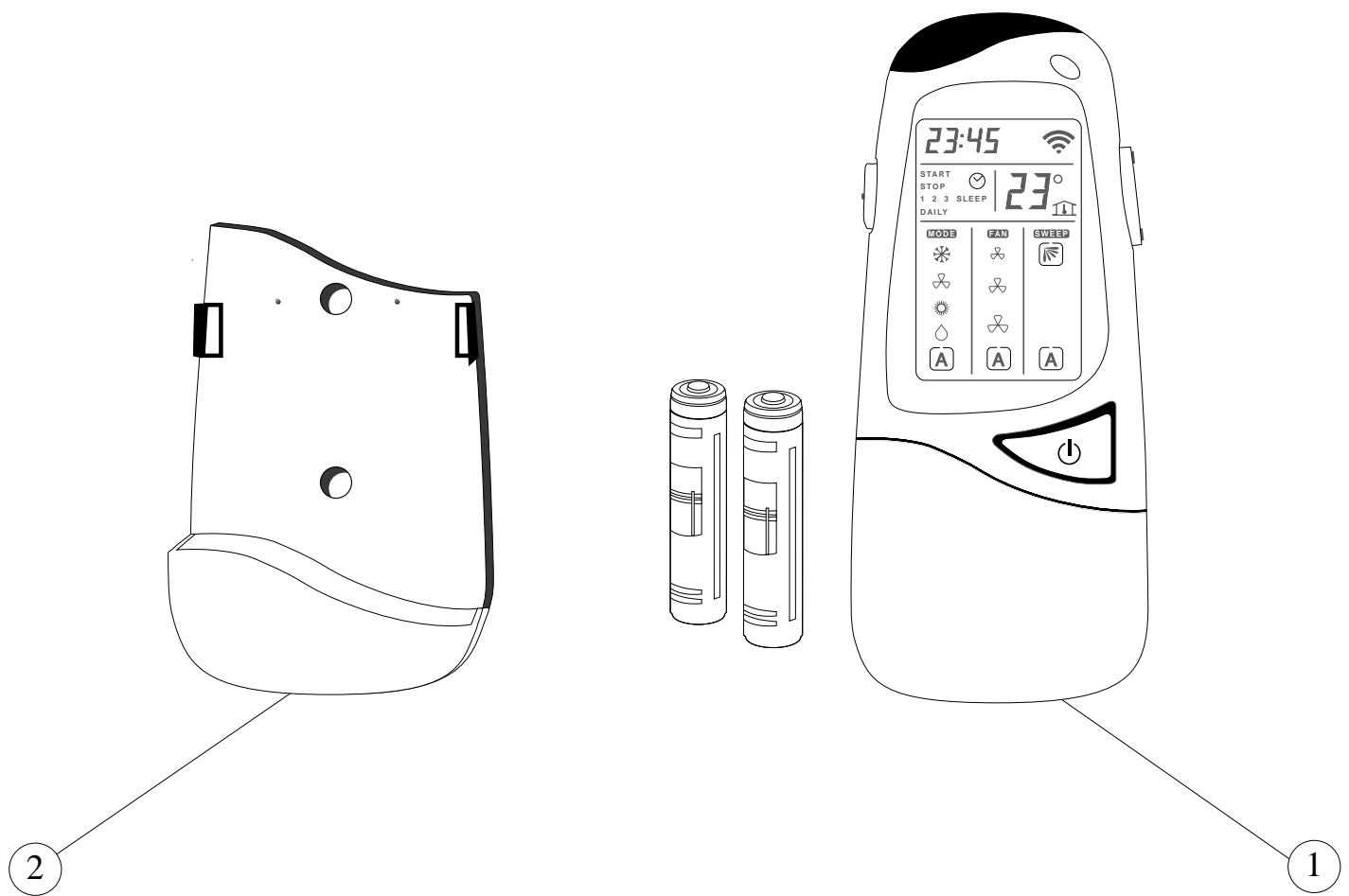
AUG. 2002 5130-26510-35

Figure 1-2. ELECTRICAL CONTROL BOX ANL-S 35 / 50 / 60 / 75 / 80 / 90

**Table 1-3. REMOTE CONTROLLER ANL-S 35 / 50 / 60 / 75 / 80 / 90**  
**(See Figure 1-3)**

No.	DESCRIPTION	Cat. No.	35	50	60	75	80	90
1	REMOTE CONTROLLER TAC-490	513035044 10	1	1	1	1	1	1
2	REMOTE CONTROLLER RACK	513012802 00	1	1	1	1	1	1





AUG. 2002 5130-26510-35

Figure 1-3. REMOTE CONTROLLER ANL-S 35 / 50 / 60 / 75 / 80 / 90

**Table 1-4. CONDENSER ASSEMBLY ANL-S 35 / 50 / 60 / 75**  
**(See Fig. 1-4)**

No.	DESCRIPTION	Cat. No.	35	50	60	75	NOTE	
1	CONTROL SIDE COVER ASSY.	513084511 00	1	-	-	-		
		513084512 00	-	1	1	-		
		513084516 00	-	-	-	1		
2	COVER FOR CONNECTION BOX	513012381 00	1	1	1	1		
3	SET CLAMP CONNECTION CABLE	513078753 00	1	1	1	1		
4	<b>VALVE ASSEMBLY</b> 3/8"	513058156 80	1			-		
		3/8"	513058156 60	-	1	1	-	
		3/8"	513058153 70	-	-	-	1	
		5/8"	513058152 60	1	1	1	-	
		3/4"	513058153 80	-	-	-	1	
5	<b>VALVE BASE</b>	513044036 00	1	1	1	-		
		513044062 00	-	-	-	1		
6	<b>CAPILLARY ASSY. BRISTOL H25</b>	513058680 00	1	-	-	-		
	BRISTOL H29 B 35U	513058851 80	1	-	-	-		
	COPELAND CR42K6	513058856 20	-	1	-	-		
	BRISTOL H23 A 423 3PH/H25 A 50Q 3PH	513058685 00	-	1	-	-		
	COPELAND ZR 47 K3	513058851 10	-	-	1	-		
	BRISTOL H23 A 50Q	513058817 00	-	-	1	-		
	EXPANSION VALVE ASSEMBLY	513058821 20	-	-	-	1		
7	<b>VALVE ASSEMBLY BRISTOL H25-3 PH</b>	513058555 00	1	-	-	-		
	BRISTOL H29 B 35U -1PH	513058753 90	1	-	-	-		
	COPELAND CR42	513058324 10	-	1	-	-		
	BRISTOL H23 A 423 3PH	513058558 00	-	1	-	-		
	COPELAND ZR 47 K3	513058751 40	-	-	1	-		
	BRISTOL H23 A 50Q -3PH	513058751 20	-	-	1	-		
	BRISTOL H23A56Q	513058753 10	-	-	-	1		
8	<b>COMPRESSOR 1PH BRISTOL H29 B 35UA</b>	513014123 02	1	-	-	-		
	COPELAND CR 42 K6	513014133 50	-	1	-	-		
	COPELAND ZR 47 K3	513014134 19	-	-	1	-		
	3 PH BRISTOL H25 B 353	513014323 01	1	-	-	-		
	3 PH BRISTOL H23 A 423	513014323 52	-	1	-	-		
	3 PH BRISTOL H23 A 50Q	513014324 06	-	-	1	-		
	3 PH BRISTOL H23 A 56Q	513014324 55	-	-	-	1		

AUG. 2002 5130-26510-35

**Table 1-4. CONDENSER ASSEMBLY ANL-S 35/50/60/75 (Continued)**  
**(See Fig. 1-4)**

No.	DESCRIPTION	Cat. No.	35	50	60	75	NOTE
9	CORNER COVER ASSY.	513084510 00	1	1	1	-	
		513084601 00	-	-	-	1	
10	FAN BLADES HOUSING	513044011 00	1	-	-	-	
		513044012 00	-	1	1	1	
11	NET WIRE FAN BLADES	513044054 00	1	1	1	1	
12	SET FAN BLADES	513078755 00	1				
		513021357 00		1	1	1	
13	FAN MOTOR CONDENSER	513013143 00	1	1	1	1	
14	FAN MOTOR SUPPORT	513044021 00	1	1	1	1	
15	CONDENSER BASE ASSY BRISTOL	513044804 00	1	-	-	-	
	COPELAND CR42	513044805 00	-	1	-	-	
	COPELAND ZR 47 K3/BRISTOL H25 A 50Q	513044811 00	-	-	1	-	
	BRISTOL H23A56Q	513044826 00	-	-	-	1	
16	CONDENSER COIL ASSY. BRISTOL H29B35	513082660 50	1	-	-	-	
	COPELAND	513082664 20	-	1	-	-	
	COPELAND ZR 47 K3/BRISTOL H23 A	513082660 70	-	-	1	-	
	BRISTOL H23 A 423 -3 PH	513083675 10	-	1	-	-	
	BRISTOL H23 A 56QDBEA	513083785 00	-	-	-	1	
17	REAR SUPPORT	513044111 00	1	1	1	1	
18	NET CONDENSER COIL	513012702 10	1	-	-	-	
		513012702 30	-	1	1	-	
		513012702 40	-	-	-	1	
19	TOP COVER CONDENSER	513044008 00	1	-	-	-	
		513044009 00	-	1	1	-	
		513084602 00	-	-	-	1	
20	PARTITION CONDENSER ASSY.	513084509 00	1	-	-	-	
		513084546 00	-	1	-	-	
		513084513 00	-	-	1	-	
		513084634 00	-	-	-	1	
21	CONNECTION BOX ASSEMBLY	SEE FIG. 1-5	1	1	1	1	

AUG. 2002 5130-26510-35

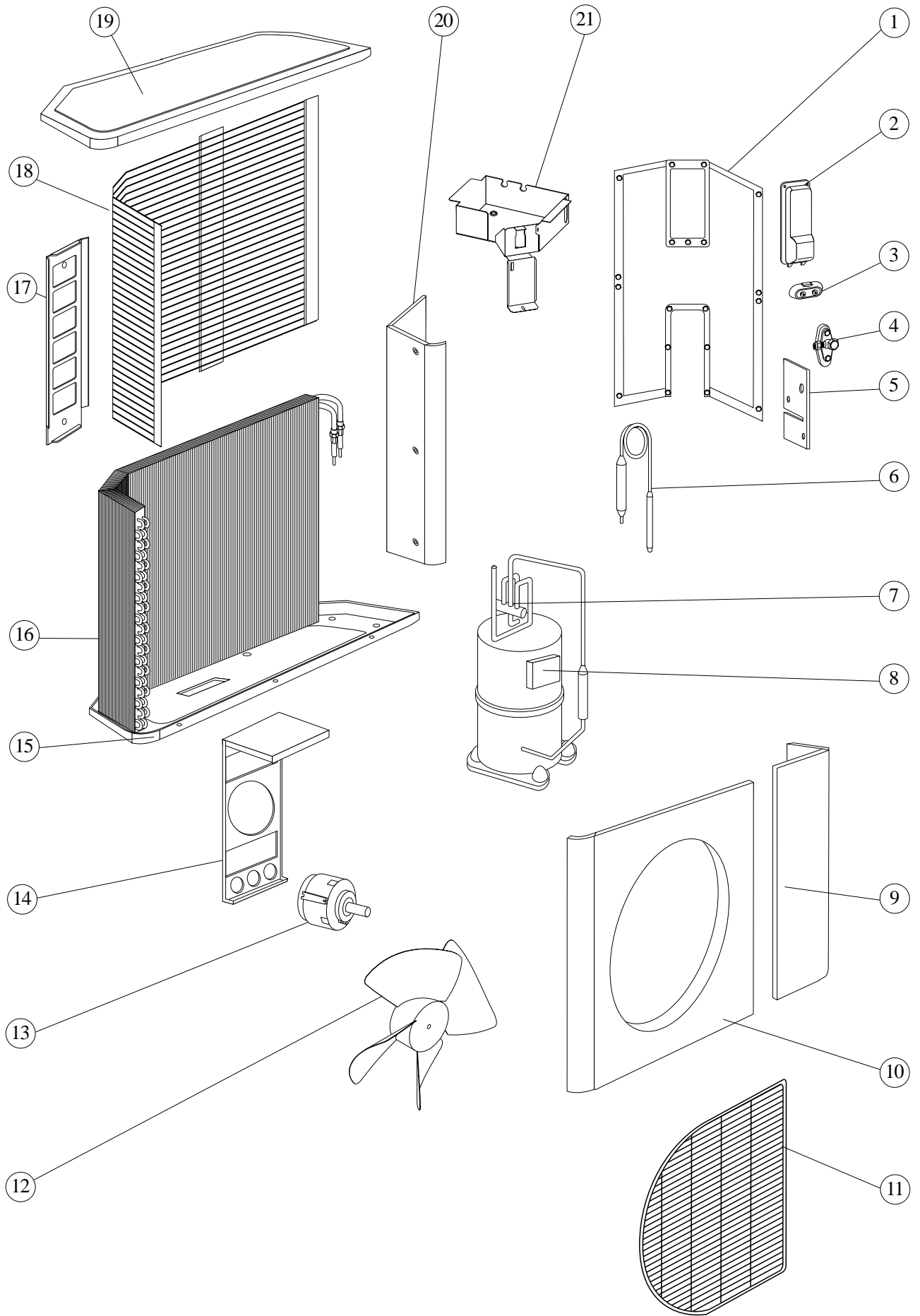
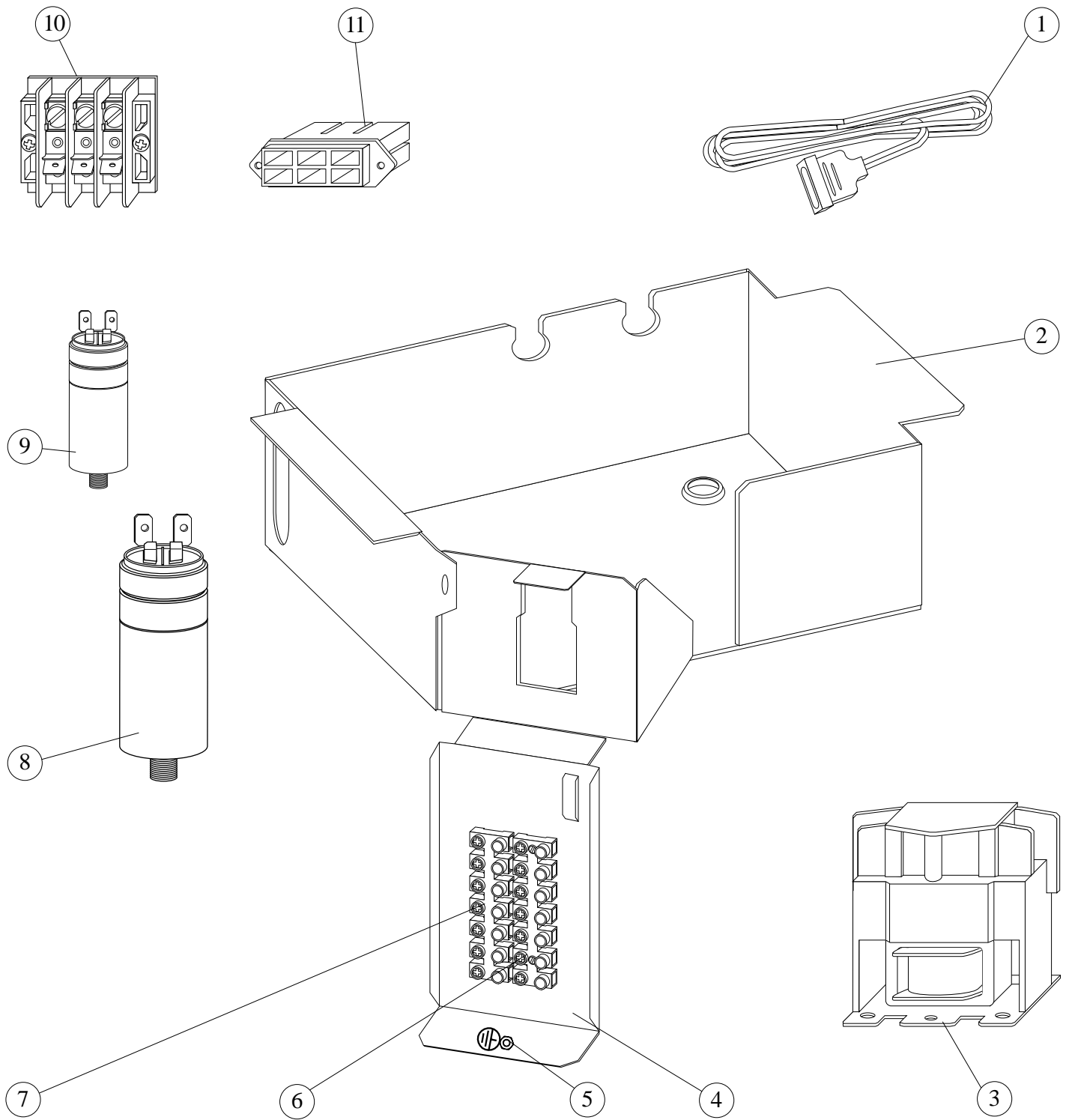


Figure 1-4. CONDENSER ASSEMBLY ANL-S 35 / 50 / 60 / 75

**Table 1-5. CONDENSER CONNECTION BOX ASSEMBLY ANL-S 35 / 50 / 60  
(See Fig. 1-5)**

No.	DESCRIPTION	Cat. No.	35	50	60	
1	WIRING HARNESS ASSEMBLY	513079002 00	1	1	1	
2	SHEET METAL BASE	513044024 00	1	1	1	
3	SET CONTACTOR	513078688 00	1	1	1	
4	SUPPORT CONNECTION BOX	513044026 00	1	1	1	
5	GROUND TERMINAL RING	512019225 00	1	1	1	
6	TERMINAL BLOCK 7 POLES MALE	513020533 00	1	1	1	
7	TERMINAL BLOCK 7 POLES FEMALE	513020534 00	1	1	1	
8	COMPRESSOR CAPACITOR	45 $\mu$ F	513018045 00	1	-	-
		60 $\mu$ F	513018060 00	-	1	1
9	FAN MOTOR CAPACITOR	5 $\mu$ F	513018005 00	1	1	1
10	TERMINAL BOARD 3 STATION	513020506 00	1	1	1	
11	CONNECTOR MALE BLACK 6	512019912 00	1	1	1	

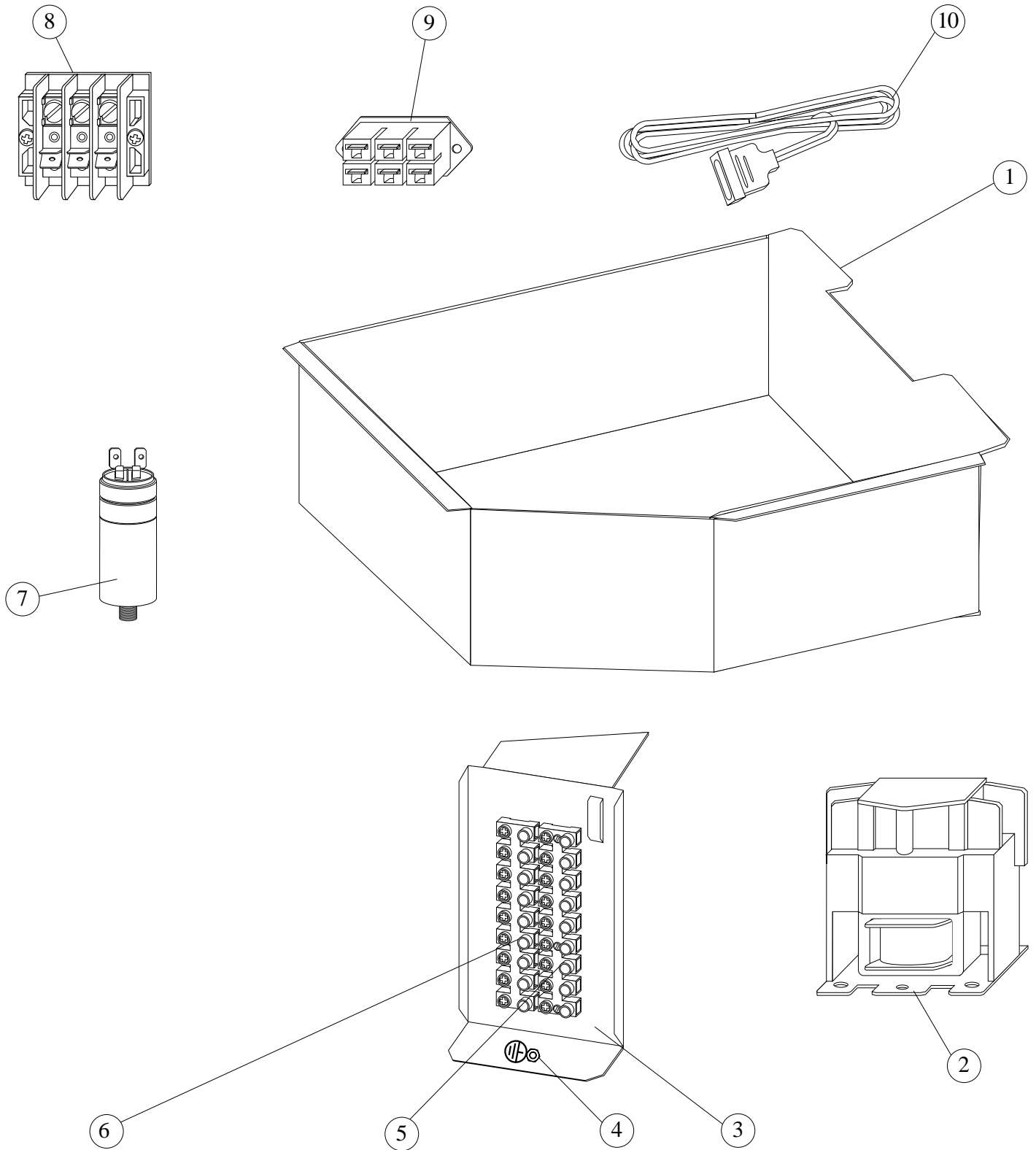


AUG. 2002 5130-26510-35

Figure 1-5. CONDENSER CONNECTION BOX ASSEMBLY ANL-S 35 / 50 / 60

**Table 1-6. CONDENSER CONNECTION BOX ASSEMBLY ANL-S 753  
(See Figure 1-6)**

No.	DESCRIPTION	Cat. No.	ANL-S 753
1	CONNECTION BOX	513044303 00	1
2	CONTACTOR 3 PH	513020412 00	1
3	CONNECTING SUPPORT	513044311 00	1
4	GROUND TERMINAL RING	512019225 00	1
5	TERMINAL BLOCK 9 POLES MALE	513020527 00	1
6	TERMINAL BLOCK 9 POLES FEMALE	513020528 00	1
7	FAN MOTOR CAPACITOR                      5 $\mu$ F	513018005 00	1
8	TERMINAL BOARD 3 STATION	513020506 00	1
9	CONNECTOR MALE BLACK 6	512019912 00	1
10	WIRING HARNESS ASSEMBLY	513079001 00	1



AUG. 2002 5130-26510-35

Figure 1-6. CONDENSER CONNECTION BOX ASSEMBLY ANL-S 753



**Table 1-7. CONDENSER ASSEMBLY ANL-S 80 / 90**  
**(See Figure 1-7)**

No.	DESCRIPTION	Cat. No.	80	90
1	EXPANSION VALVE ASSEMBLY	513058721 30	1	-
		513058821 40	-	1
2	VALVE ASSEMBLY	513058753 40	1	-
		513058736 00	-	1
3	COMPRESSOR	513014325 00	1	-
		513014336 00	-	1
4	ELECTRICAL BOX ASSEMBLY	SEE FIG. 1-8	1	1
5	FAN MOTOR SUPPORT	513044021 00	2	2
6	FAN MOTOR CONDENSER	513013143 00	2	2
7	SET FAN BLADES	513021357 00	2	2
8	SUPPORT STAND	513044843 00	3	3
9	NET WIRE FAN BLADES	513044054 00	2	2
10	RIGHT CORNER COVER ASSY.	513084518 00	1	1
11	FAN BLADES HOUSING	513044050 00	2	2
12	LEFT CORNER COVER ASSY.	513084519 00	1	1
13	CONDENSER LOWER BASE	513044817 00	1	1
14	CONDENSER COIL LOWER ASSEMBLY	513082661 40	1	1
15	PARTITION CONDENSER ASSEMBLY	513084517 00	2	2
16	CONDENSER UPPER BASE	513044818 00	1	1
17	CONDENSER COIL UPPER ASSEMBLY	513082661 30	1	1
18	TOP COVER CONDENSER	513044009 00	1	1
19	REAR SUPPORT	513044060 00	1	1
20	NET WIRE CONDENSER COIL	513012702 30	2	2
21	BOTTOM CONTROL COVER ASSEMBLY	513084523 00	1	1
22	TOP CONTROL COVER ASSEMBLY	513084520 00	1	1
23	VALVE BASE	513044062 00	1	1
24	COVER FOR CONNECTION BOX	513012381 00	1	1
25	VALVE ASSEMBLY 3/8"	513058153 70	1	1
26	VALVE ASSEMBLY 3/4"	513058153 80	1	1

AUG. 2002 5130-26510-35

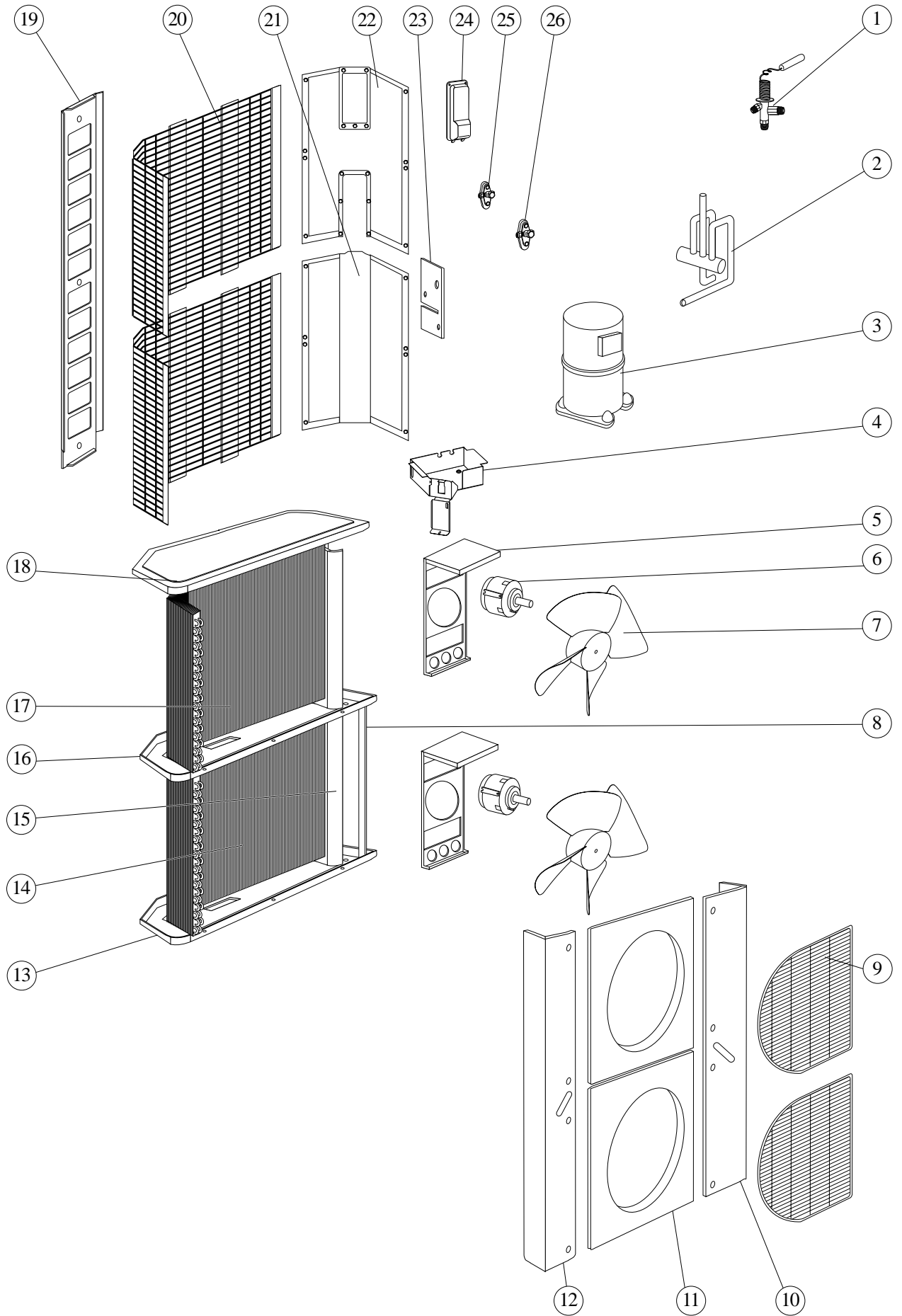
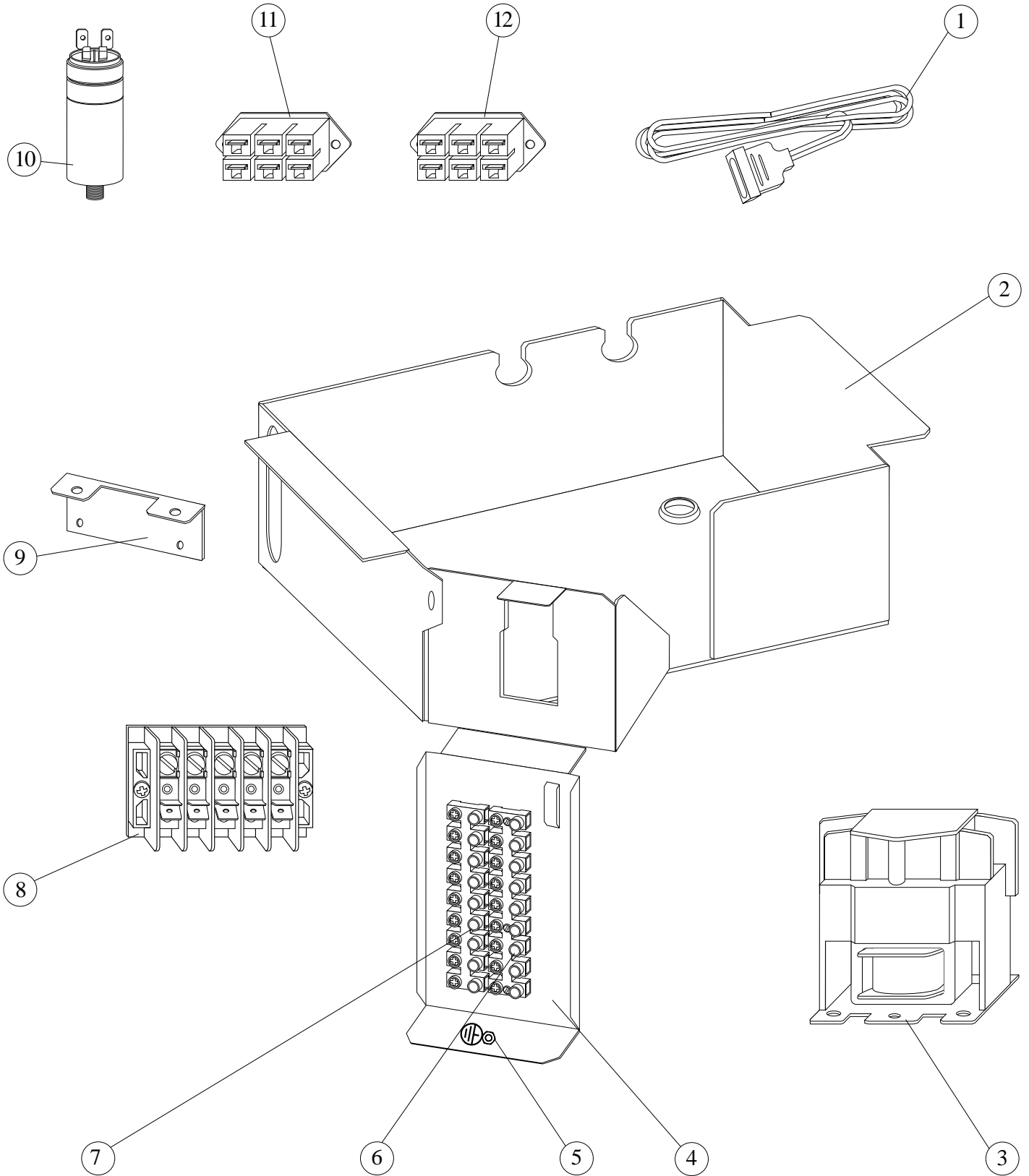


Figure 1-7. CONDENSER ASSY. ANL-S 80 / 90

**Table 1-8. CONDENSER CONNECTION BOX ASSEMBLY ANL-S 80 / 90  
(See Figure 1-8)**

No.	DESCRIPTION	Cat. No.	80	90
1	WIRING HARNESS ASSEMBLY	513079001 00	1	1
2	CONNECTION BOX	513044024 00	1	1
3	CONTACTOR 3 PH	513020412 00	1	1
4	SUPPORT CONNECTION BOX	513044026 00	1	1
5	GROUND TERMINAL RING	512019225 00	1	1
6	TERMINAL BLOCK 9 POLES MALE	513020527 00	1	1
7	TERMINAL BLOCK 9 POLES FEMALE	513020528 00	1	1
8	TERMINAL BOARD 5 STATION	513020521 00	2	2
9	SUPPORT FOR CONNECTOR	513043032 00	1	1
10	FAN MOTOR CAPACITOR 5 $\mu$ F	513018005 00	1	1
11	CONNECTOR MALE 6 BLACK	512019912 00	1	1
12	CONNECTOR MALE 6 WHITE	512019910 00	1	1



AUG. 2002 5130-26510-35

Figure 1-8. CONDENSER CONNECTION BOX ASSEMBLY ANL-S 80 / 90