

Contents

INTRODUCTION	1-1
1. SKY LINE GENERAL DESCRIPTION	
1.1. Product Options	1-1
1.2. Nameplate Information	1-2
1.3. Technical data table	1-3
2. CAPACITY and PRESSURE CHARTS	
2.1. Using SKY Model Air-Conditioner Cooling and Heating Capacity Curves	2-1
2.2. Cooling and Heating Capacity Curves ANL-AVL100	2-2
2.3. Cooling and Heating Capacity Curves AVL-120	2-3
2.4. System Performance (Pressure) Charts ANL-AVL100	2-4
2.5. System Performance (Pressure) Charts AVL-120	2-5
3. REFRIGERATION CYCLE DIAGRAMS	
3.1. Refrigeration Cycle ANL-100	3-1
3.2. Refrigeration Cycle AVL-100	3-2
3.3. Refrigeration Cycle AVL-120	3-3
4. AIR FLOW CURVES	
4.1. Air flow Curves ANL-100	4-1
4.2. Air flow Curves AVL-100	4-2
4.3. Air flow Curves AVL-120	4-3
5. ELECTRICAL WIRING DIAGRAMS	
5.1. Electrical Wiring Diagram ANL-100	5-1
5.2. Electrical Wiring Diagram AVL-100/AVL-120.....	5-2

6. INSTALLATION INSTRUCTIONS	
6.1. General	6-1
6.2. Standard Accessories	6-1
6.3. Electrical Requirements	6-1
6.4. Typical ANL System Installation	6-2
6.5. Installing the Outdoor Unit.....	6-3
6.6. Installing the Indoor Unit	6-4
6.7. Air Duct Installation.....	6-5
6.8. Connecting the Refrigerant Lines and Refrigerant Charge	6-6
6.9. Installing the Wall Mounted Unit and the Remote Control	6-8
6.10. Wiring the Indoor and Outdoor Units	6-8
6.11. Finishing the Job	6-10
7. TROUBLESHOOTING GUIDE	
7.1. General Troubleshooting	7-1
7.2. Poor Cooling Troubleshooting	7-2
7.3. Poor Heating Troubleshooting	7-5
7.4. Indicator lamps troubleshooting	7-6
8. SPARE PARTS LIST	
8.1. Indoor Unit Assembly	8-2
8.2. Outdoor Unit Case Assembly	8-4
8.3. Outdoor Unit Refrigerant System Components	8-6
8.4. Outdoor Unit Electrical Components	8-8

Spare Parts List

8.1 Indoor Unit Assembly

Indoor Unit Assembly Parts					
No. in Fig. 1	Part Description	Quantity Per Unit	Parts No.		
			ANL-100	AVL-100	AVL-120
1	Centrifugal Fan - Right (AVL)	1	N/A	4021108	4021138
2	Centrifugal Fan - Left (AVL)	1	N/A	4021109	4021138
2	Centrifugal Fan (ANL)	1	4021121	N/A	N/A
3	Electrical Wiring Clamps	1	10060018	10060018	10060018
4	Hanging Attachment - Left	1		PE1000AH08	PE1000CU09
5	Terminal Box Cover	1	PE1000CH12	PE1000AH12	PE1000AH12
6	Terminal Box Base Plate	1	PE1000CH10	PE1000AH10	PE1000AH10
7	Universal Rubber Joint	2	-	-	-
8	Plastic Joint	1		SB221009	SB221009
9	Left Panel	1	PE1000CH04	PE1000AH03	PE1000AH03
10	Plastic Fastening Screw	4	13010043	13010043	13010043
11	Left Service Door	1	PE1000CH08	PE1000AH05	PE1200AH05
12	plastic handle	2	15050001	15050001	15050001
13	Duralast filter 1/2"	1	15040050	15040051	15040052
14	Evaporator Heat Exchanger	1	50104C8	5010489	5010486
15	Condensate Water Pan	1	PE1000CH05	PE1000AH06	PE1200AH06
16	Fan Support	4		PE1000AH09	PE1200AH08
17	Front Panel	1	PE1000CH02	PE1000AH02	PE1200AH02
18	Evaporator Base	1	PE1000CH01	PE1000AH01	PE1200AH01
19	Filter Support	1	PE1000CH07	PE1000AH07	PE1200AH07
20	Right Service Door	1	PE1000CH08	PE1000AH05	PE1200AH05
21	Right Panel	1	PE1000CH03	PE1000AH04	PE1200AH04
22	Right Hanging Support	1	PE1000CH09	PE1000AH08	PE1000CU09
23	Top Cover	1	PE1000CH11	PE1000AH11	PE1200AH11
24	Filter Lock	1	PE1000CH06	PE1000CU06	PE1000CU06

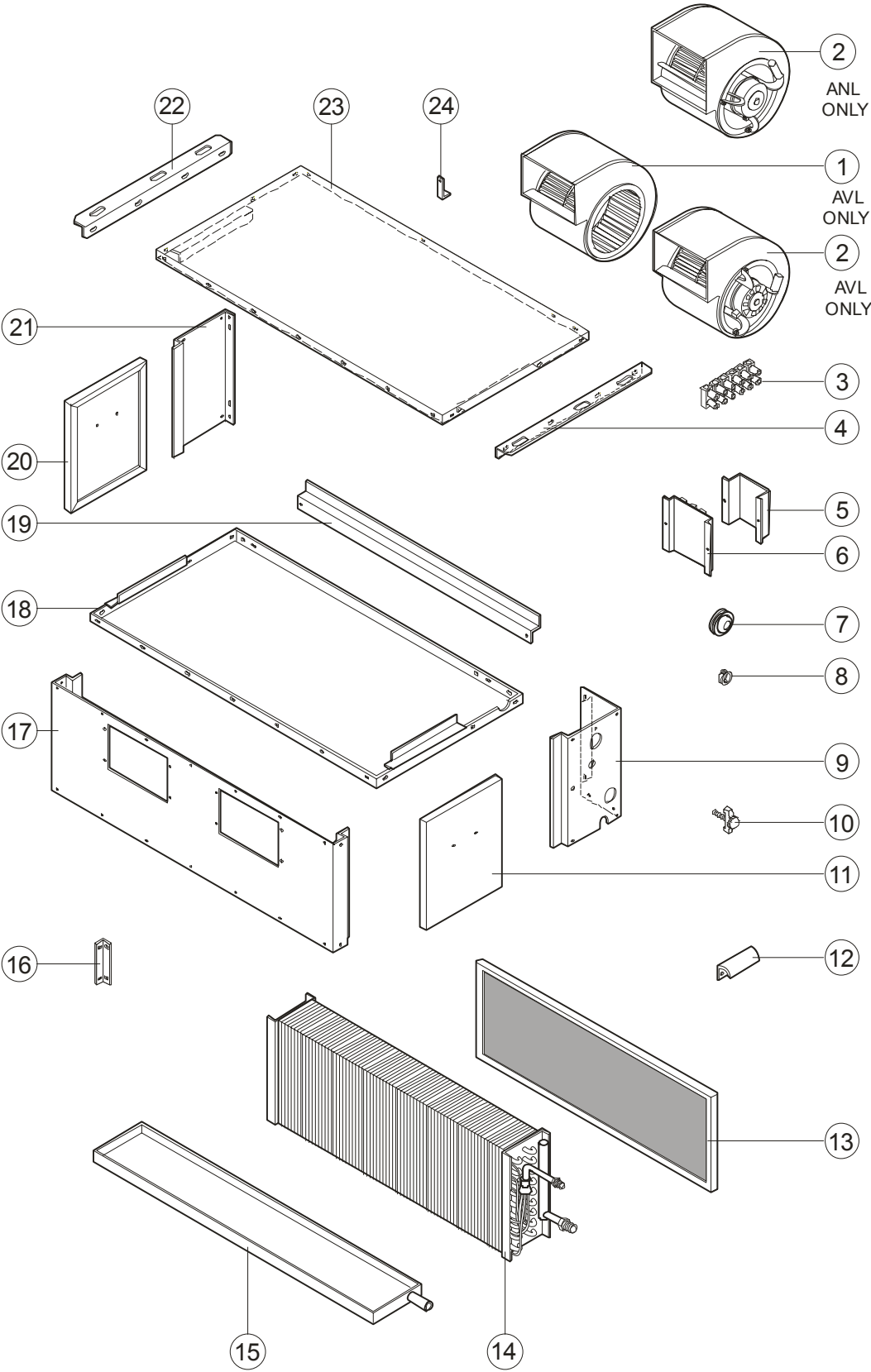


Fig. 8-1: Indoor Unit Assembly Parts

8.2 Outdoor Unit Case Assembly

ANL-100, AVL-100, AVL-120 (Outdoor Unit Case Assembly)					
No. in Fig. 8-2	Part Description	Quantity Per Unit	Parts No.		
			ANL-100	AVL-100	AVL-120
1	Cover	1	PCUC100002	PCUC100002	PCUC100002
2	Back Panel	1	PCUC100004	PCUC100004	PCUC100004
3	Terminal Box	1	PCUC100013	PCUC100013	PCUC100013
4	Compressor Chamber Cover	1	PCUC100012	PCUC100012	PCUC100012
5	Compressor Chamber Panel	1	PCUC100011	PCUC100011	PCUC100011
6	Plastic Handle	2	15050001	15050001	15050001
7	Plastic Fastening Screw	4	13010043	13010043	13010043
8	Back Panel - Right	1	PCUC100006	PCUC100006	PCUC100006
9	Terminal Box Cover	1	PCUC100008	PCUC100008	PCUC100008
10	Compressor Chamber Door	1	PCUC100009	PCUC100009	PCUC100009
11	Back Panel - Left	1	PCUC100003	PCUC100003	PCUC100003
12	Base Support - Short	2	PCUC100015	PCUC100015	PCUC100015
13	Base Support - Long	2	PCUC100016	PCUC100016	PCUC100016
14	Base Plate	1	PCUC100001	PCUC100001	PCUC100001
15	Intermediary Panel	1	PCUC100015	PCUC100015	PCUC100015
16	Left Coil Panel	1	PCUC100005	PCUC100005	PCUC100005
17	Upper Coil Panel	1	PCUC100010	PCUC100010	PCUC100010
18	Left Back Panel	1	PCUC100003	PCUC100003	PCUC100003

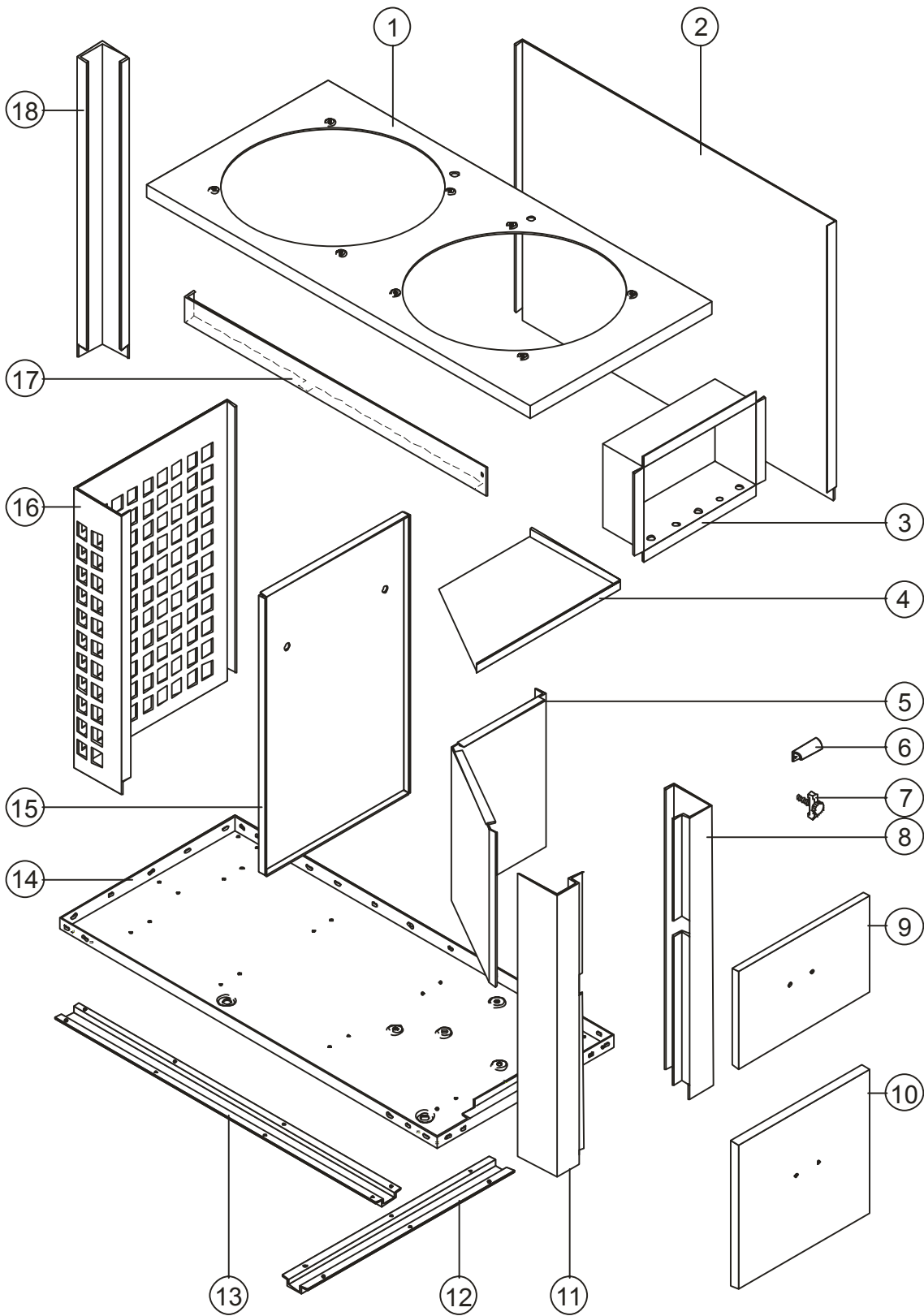


Fig. 8-2: Outdoor Unit Case Assembly

8.3 Outdoor Unit Refrigerant System Components

ANL-100, AVL-100, AVL-120 (Outdoor Unit Refrigerant System Components)					
No. in Fig. 8-3	Part Description	Quantity Per Unit	Parts No.		
			ANL-100	AVL-100	AVL-120
1	Compressor	1	0604M125	0604M125	0604M160
2	Compressor Metal Sleeve Support	4	0604M125/03	0604M125/03	0604M160/03
3	Compressor Rubber Support	4	0604M125/02	0604M125/02	0604M160/02
4	Suction Accumulator	1	11020078	11020078	11020078
5	Suction Accumulator Support	1	PCUC100020	PCUC100020	PCUC100020
6	High Pressure Switch support	1	PCUC100021	PCUC100021	PCUC100021
7	High Pressure Switch	1	11051173	11051173	11051173
8	4 Way Solenoid Valve	1	11013567	11013567	11013567
9	thermal expansion valve	1	1104T075	1104T075	1104T075
10	Hot Gas Bypass	1	1104HGB1	1104HGB1	1104HGB1
11	Suction Controlling Pressure Switch	1	1105DA53	1105DA53	1105DA53
12	Muffler	1	1103MF02	1103MF02	1103MF02
13	Refrigerant Filling Valve	4	14020001	14020001	14020001
14	Condenser Heat Exchanger	1	5010028	5010028	5010028
15	Metal Spacer	1	PCUC100019	PCUC100019	PCUC100019
16	3 Way Service Valve	1	1106BG12	1106BG12	1106BG12
17	Metal Spacer	1	PCUC100018	PCUC100018	PCUC100018
18	3 Way Service Valve	1	1106BG78	1106BG78	1106BG78

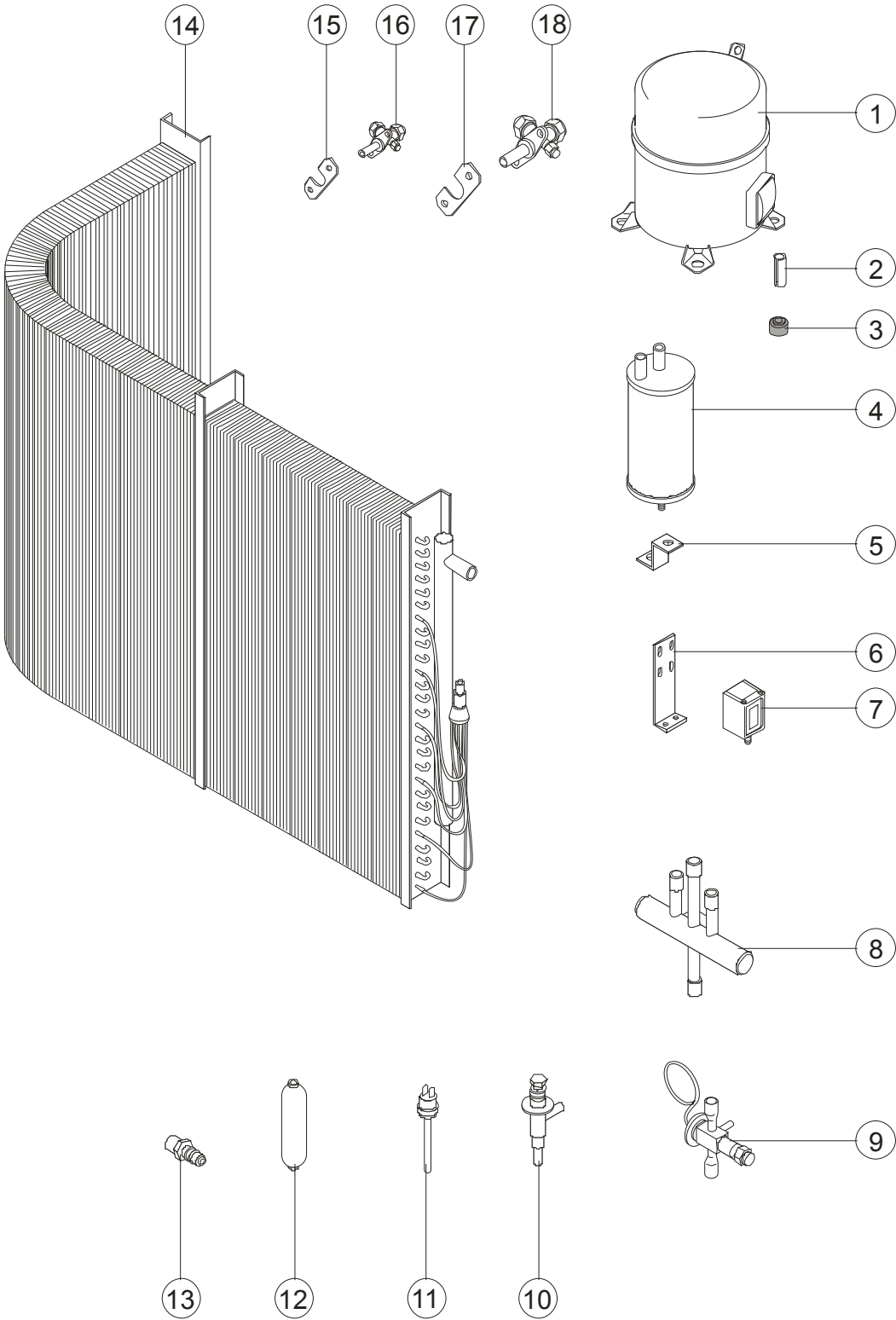


Fig. 8-3: Outdoor Unit Refrigerant System Components

8.4 Outdoor Unit Electrical Components

ANL-100, AVL-100, AVL-120 (Outdoor Unit Electrical Components)					
No. in Fig. 8-4	Part Description	Quantity Per Unit	Parts No.		
			ANL-100	AVL-100	AVL-120
1	Axial Fan With Protection Screen	2	405Z063	405Z063	405Z063
2	Electrical Board Base Plate	1	PCUC100017	PCUC100017	PCUC100017
3	Electrical Board Inner Cover	1	PCUC100022	PCUC100022	PCUC100022
4	Contactor	1	1001AB26	1001AB26	1001AB26
5	Contactor	2	1001AB09	1001AB09	1001AB09
6	Normally Open Relay	2	1001G7L0	1001G7L0	1001G7L0
7	RST Controller	1	1001RSTC	1001RSTC	1001RSTC
8	Fastener	6	10060013	10060013	10060013
9	Connection Fastener	18	10060007	10060007	10060007
10	Grounding Fastener	6	10060009	10060009	10060009
11	Neutral Fastener	6	10060008	10060008	10060008
12	RST Connection Fastener	3	10060010	10060010	10060010
13	Fastener Spacer	9	10060006	10060006	10060006

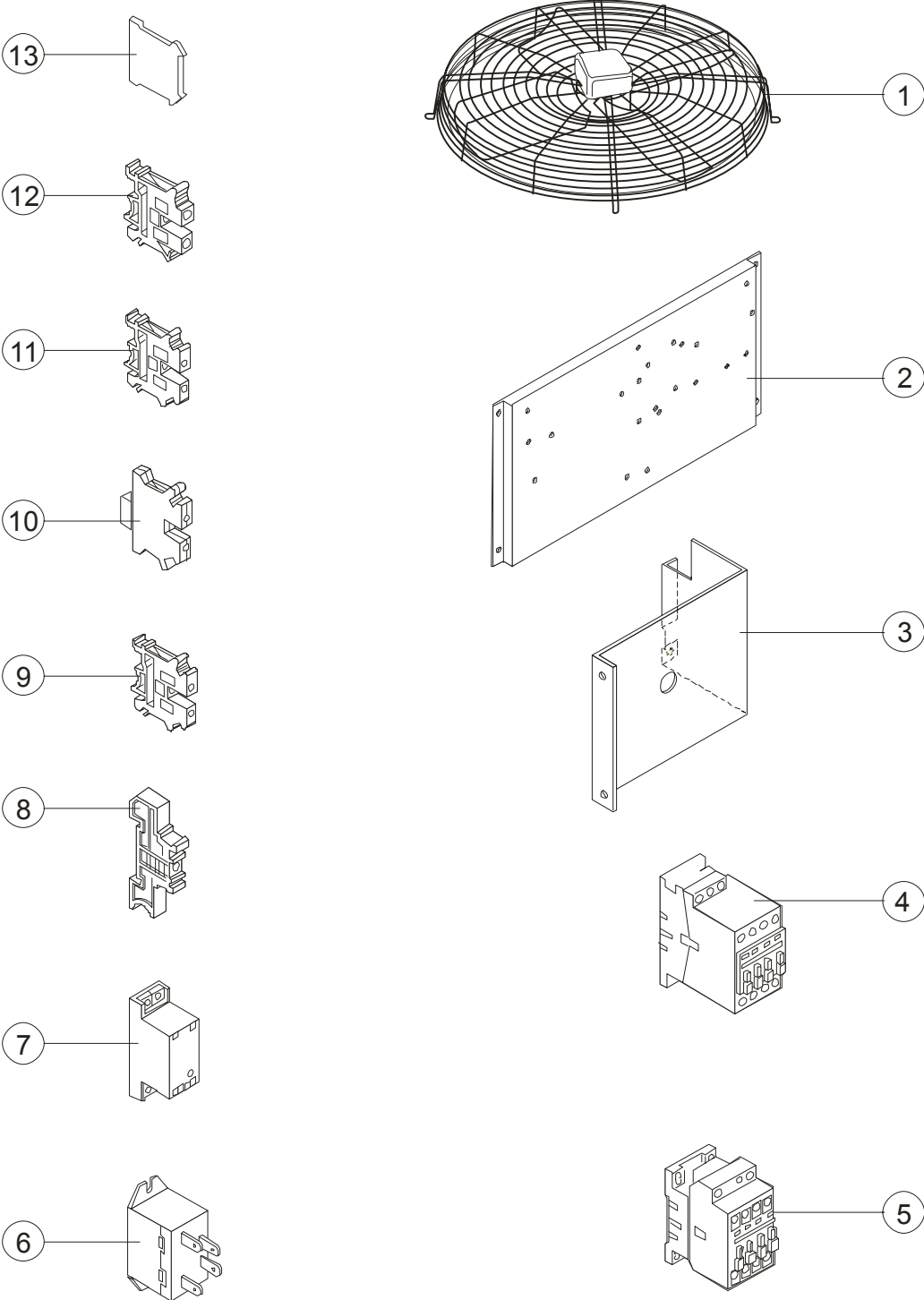


Fig. 8-4: Outdoor Unit Electrical Components