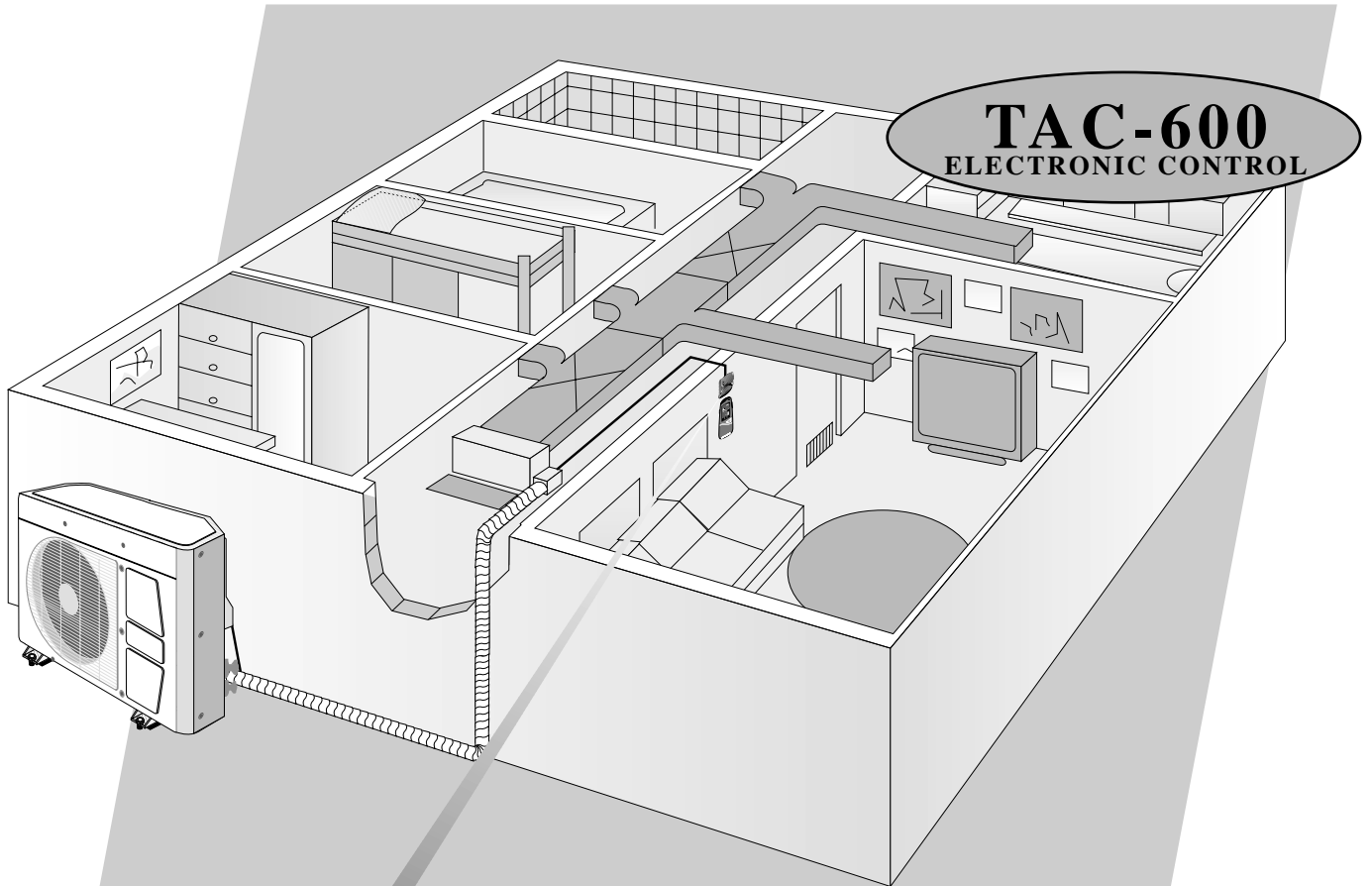


ANS 51302651021

SERVICE MANUAL

SPARE PARTS FOR AIR CONDITIONER MODELS ANS



TAC-600
ELECTRONIC CONTROL

ANS 50

ANS 60

ANS 65

ANS 77

OCT. 2002

INDEX

ILLUSTRATED PARTS LISTS

TABLES

Table 1-1 EVAPORATOR ASSEMBLY ANS 50 / 60 / 65 / 77 3

Table 1-2. ELECTRICAL CONTROL BOX ANS 50 / 60 / 65 / 77 6

Table 1-3. CONDENSER ASSEMBLY ANS 50 / 60 / 65 / 77 8

Table 1-4. CONDENSER CONNECTION BOX ASSEMBLY ANS 50 / 60..... 11

Table 1-5. CONDENSER CONNECTION BOX ASSEMBLY ANS 65 / 77 13

FIGURES

Figure 1-1 EVAPORATOR ASSEMBLY ANS 50 / 60 / 65 / 77 5

Figure 1-2. ELECTRICAL CONTROL BOX ANS 50 / 60 / 65 / 77 7

Figure 1-3. CONDENSER ASSEMBLY ANS 50 / 60 / 65 / 77 10

Figure 1-4. CONDENSER CONNECTION BOX ASSEMBLY ANS 50 / 60..... 12

Figure 1-5. CONDENSER CONNECTION BOX ASSEMBLY ANS 65 / 77 14

ILLUSTRATED PARTS LISTS

Table 1-1 EVAPORATOR ASSEMBLY ANS 50 / 60 / 65 / 77
(See Figure 1-1)

No.	DESCRIPTION	Cat. No.	50	60	65	77	Notes
1	AIR FILTER	513029089 00	1	1	1	-	
		513029088 00	-	-	-	1	
2	TOP PANEL ASSY.	513081128 00	1	1	1	-	
		513081121 00	-	-	-	1	
3	DROP COLLECTOR	513009055 00	1	1	1	1	
4	DOOR ASSY.	513081145 00	2	2	2	2	
5	COVER PLASTIC ASSY.	513081147 00	2	1	1	1	
6	FAN MOTOR EVAPORATOR	513013191 00	1	-	-	-	
		513013192 00	-	1	1	-	
		513013193 00	-	-	-	1	
7	FAN MOTOR CAPACITOR 8μF 400V 5μF 400V 10μF 400V 15μF 370V	513018008 00	1	-	-	-	
		513018005 00	1	-	-	-	
		513018010 00	-	1	1	-	
		513018015 00	-	-	-	1	
8	BLOWER UNIT ASSY. RIGHT OPTION	513081161 00	1	-	-	-	
		513081163 00	-	1	1	-	
		513081165 00	-	-	-	1	
9	DRAIN PAN ASSY.	513081260 00	1	1	1	-	
		513041270 00	-	-	-	1	
10	BLANK PANEL	513041203 00	1	1	1	1	
11	SUPPORT	513041206 00	2	2	2	2	
12	RIGHT SIDE ASSY.	513081133 00	1	1	1	1	
13	ANGLE	513041201 00	2	2	2	2	
14	FRONT PANEL ASSY.	513081707 00	1	1	1	-	
		513081705 00	-	-	-	1	
15	BRACKET	513041330 00	1	1	1	-	
		513041320 00	-	-	-	1	

OCT. 2002 5130-26510-21

Table 1-1 EVAPORATOR ASSEMBLY ANS 50 / 60 / 65 / 77 (Continued)
(See Figure 1-1)

No.	DESCRIPTION	Cat. No.	50	60	65	77	Notes
16	LEFT SIDE ASSY.	513081134 00	1	1	1	1	
17	DOOR OPENING HANDLE	513041210 00	1	1	1	1	
18	DRAIN TUBE ASSY.	513081155 00	1	1	1	1	
19	FITTING PANEL RIGHT OPTION	513081142 00	1	1	1	1	
20	E.P.S DRAIN PAN ASSY.	513081209 00	1	1	1	-	
		513081231 00	-	-	-	1	
21	SUCTION TUBE ASSY. RIGHT OPTION	513058158 10	1	-	-	-	
		513058158 30	-	1	1	-	
		513058158 70	-	-	-	1	
22	DISCHARGE TUBE ASSY. RIGHT OPTION	513058158 50	1	1	1	-	
		513058158 80	-	-	-	1	
23	EVAPORATOR COIL SYSTEM RIGHT OPTION	513084702 10	1	-	-	-	
		513084702 30	-	1	1	-	
		513084702 70	-	-	-	1	
24	ANGLE	513041202 00	2	2	2	2	

OCT. 2002 5130-26510-21

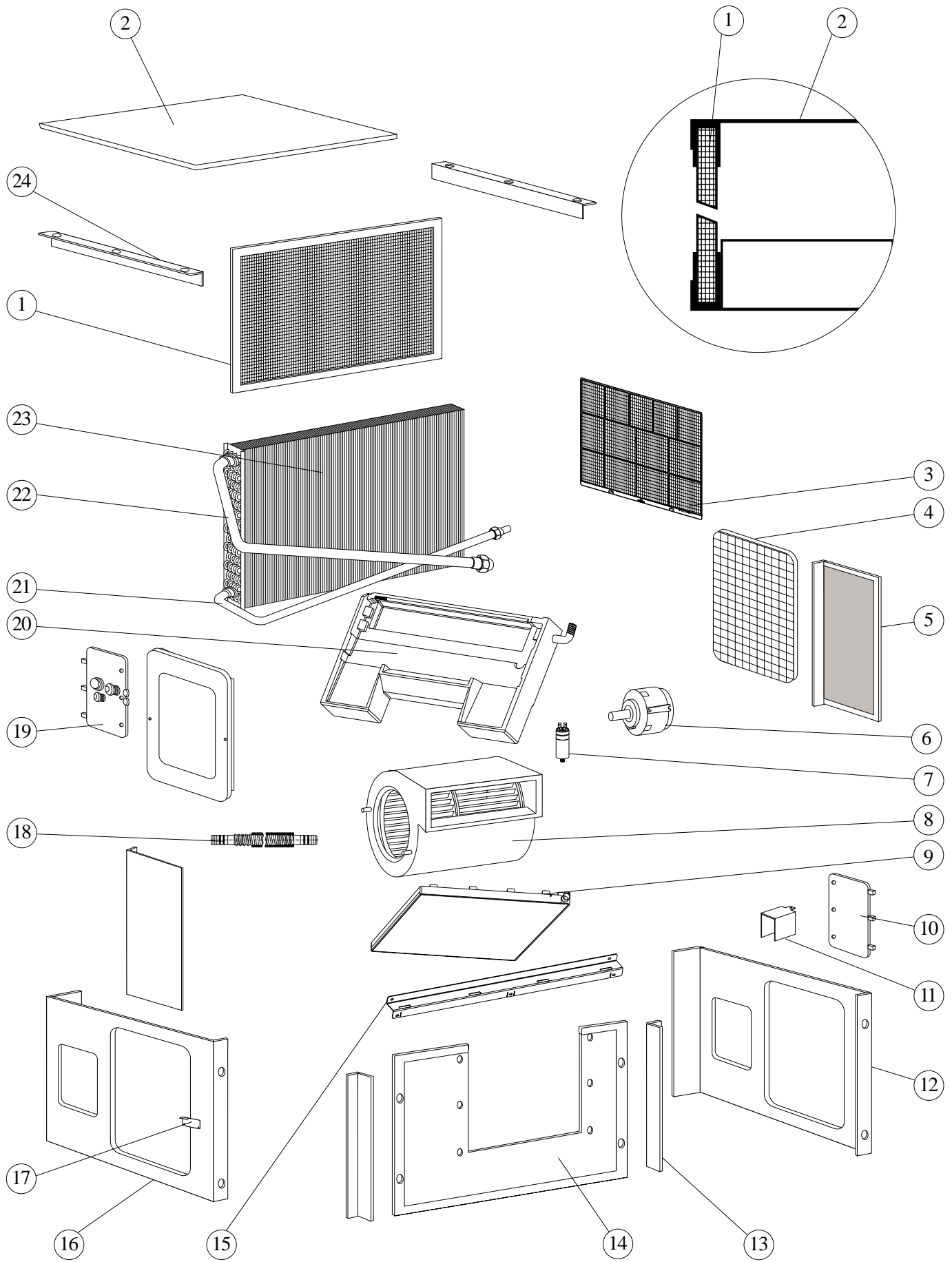


Figure 1-1 EVAPORATOR ASSEMBLY ANS 50 / 60 / 65 / 77

OCT. 2002 5130-26510-21

Table 1-2. ELECTRICAL CONTROL BOX ANS 50 / 60 / 65 / 77
(See Figure 1-2)

No.	DESCRIPTION	Cat. No.	50	60	65	77	Notes
*	ELECTRICAL BOX ASSY. 1PH/3PH	513083286 06	1	1	1	1	
1	ELECTRONIC CONTROL TAC-640	513035324 00	1	1	1	1	
2	6 POLES FEMALE	513020529 00	1	1	1	1	
3	GROUND TERMINAL RING TONGUE	512019225 00	1	1	1	1	
4	SET CLAMP CONNECTION CABLE	513078753 00	2	2	2	2	
5	DISPLAY UNIT TAC-660 RTX	513035342 00	1	1	1	1	
6	COMMUNICATION CABLE	513035207 00	1	1	1	1	
7	REMOTE CONTROLLER TAC-490	513035044 10	1	1	1	1	
8	REMOTE CONTROLLER RACK	513012802 00	1	1	1	1	
9	4 POLES FEMALE	513020530 00	1	1	1	1	
10	EXTENTION CABLE TH-3	513089719 20	1	1	1	1	
11	SENSOR TH-3 0.7 m	513035021 10	1	1	-	-	
12	SENSOR TH-2 1.8 m	513035026 20	1	1	1	1	
13	SENSOR TH-1 1.8 m	513035027 30	1	1	1	1	
14	FUSE HOLDER	-	1	1	1	1	
15	FUSE 10A	-	1	1	1	1	
16	ELECTRICAL BOX COVER	513041247 00	1	1	1	1	
17	SHEET METAL BASE	513041246 00	1	1	1	1	

OCT. 2002 5130-26510-21

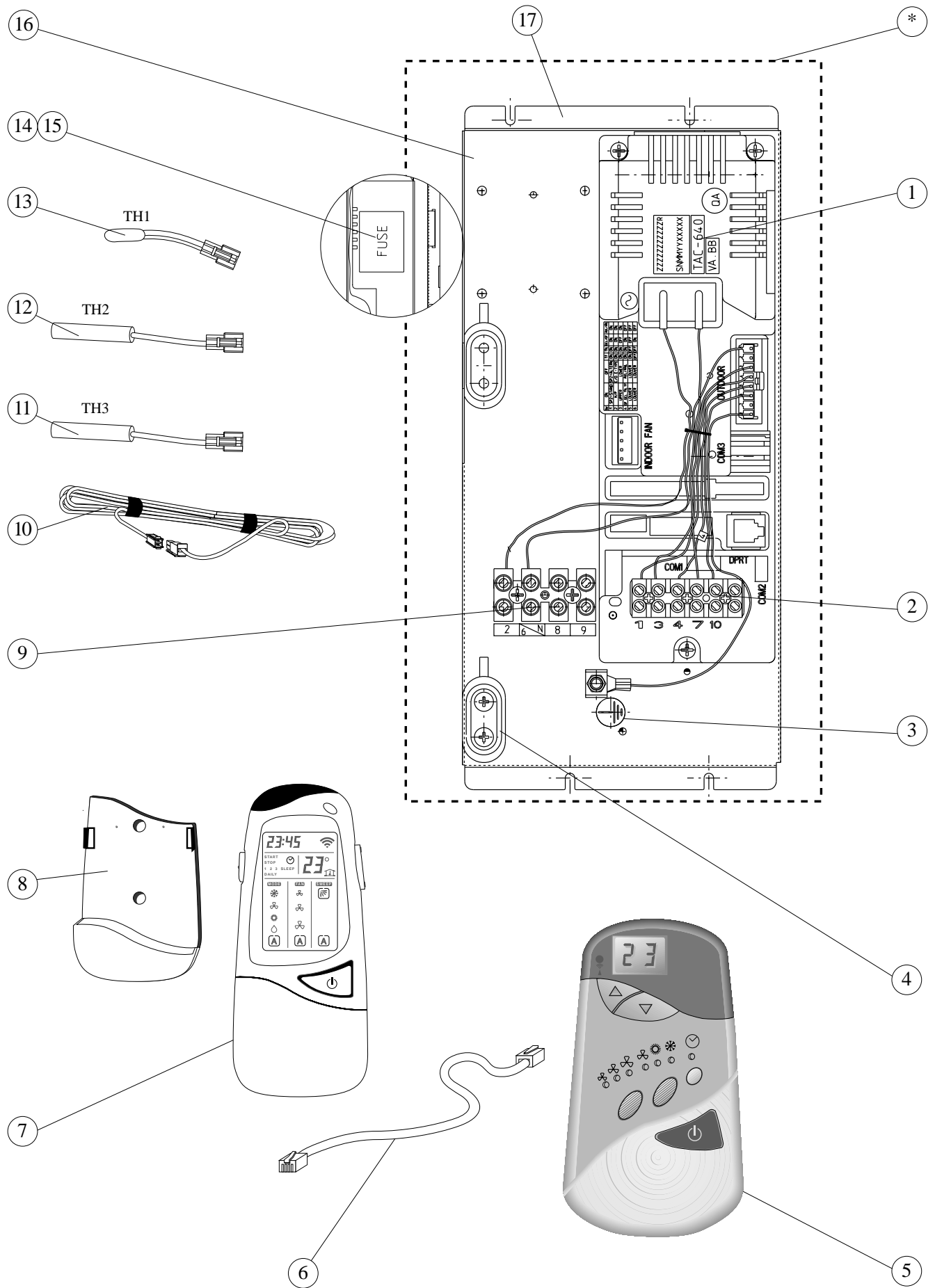


Figure 1-2. ELECTRICAL CONTROL BOX ANS 50 / 60 / 65 / 77

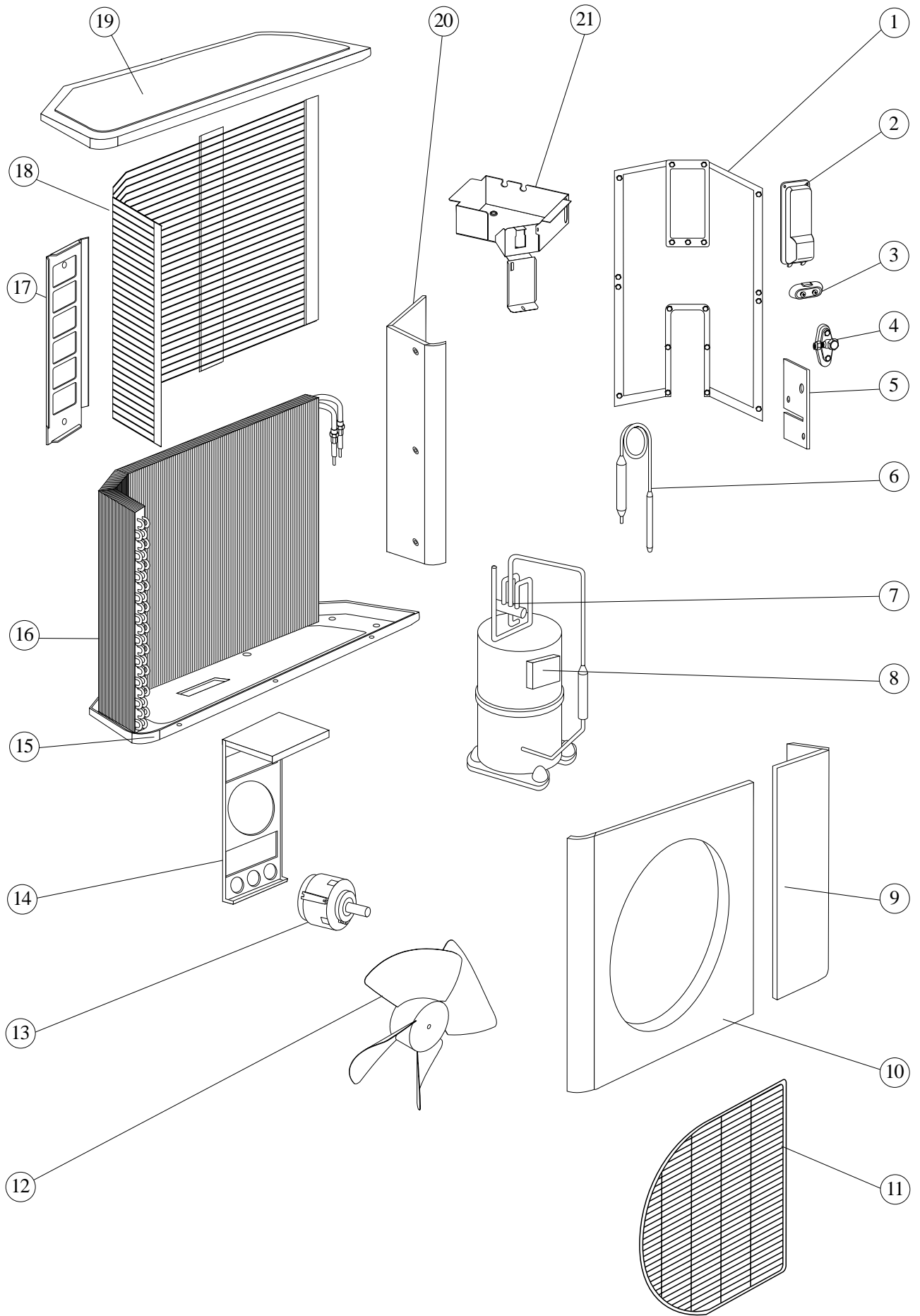
Table 1-3. CONDENSER ASSEMBLY ANS 50 / 60 / 65 / 77
(See Fig. 1-3)

No.	DESCRIPTION	Cat. No.	50	60	65	77	NOTE
1	CONTROL SIDE COVER ASSY.	513084512 00	1	1	1	-	
		513084516 00	-	-	-	1	
2	COVER FOR CONNECTION BOX	513012381 00	1	1	1	1	
3	SET CLAMP CONNECTION CABLE	513078753 00	1	1	1	1	
4	VALVE ASSEMBLY 3/8"	513058152 50	1	1	1	-	
	3/8"	513058153 70	-	-	-	1	
	5/8"	513058152 60	1	1	1	-	
	3/4"	513058153 80	-	-	-	1	
5	VALVE BASE	513044036 00	1	1	1	-	
		513044062 00	-	-	-	1	
6	CAPILLARY ASSY. BRISTOL	513058855 60	1	1	1	-	
	EXPANSION VALVE ASSEMBLY	513058821 60	-	-	-	1	
7	VALVE ASSEMBLY	513058759 50	1	1	1	-	
		513058144 50	-	-	-	1	
8	COMPRESSOR BRISTOL T28A425CBKA	513014153 80	1	1	-	-	
	BRISTOL T28A505DBZA	513014154 10	-	-	1	-	
	BRISTOL T28A545DBZA	513014154 40	-	-	-	1	

OCT. 2002 5130-26510-21

Table 1-3. CONDENSER ASSEMBLY ANS 50 / 60 / 65 / 77 (Continued)
(See Fig. 1-3)

No.	DESCRIPTION	Cat. No.	35	50	60	75	NOTE
9	CORNER COVER ASSY.	513084510 00	1	1	1	-	
		513084603 00	-	-	-	1	
10	FAN BLADES HOUSING	513044012 00	1	1	1	1	
11	NET WIRE FAN BLADES	513044054 00	1	1	1	1	
12	SET FAN BLADES	513021357 00	1	1	1	1	
13	FAN MOTOR CONDENSER	513013212 00	1	1	1	1	
14	FAN MOTOR SUPPORT	513044021 00	1	1	1	1	
15	CONDENSER BASE ASSY	513044811 00	1	1	1	-	
		513044624 00	-	-	-	1	
16	CONDENSER COIL ASSY.	513082664 30	1	1	1	-	
		513082664 80	-	-	-	1	
17	REAR SUPPORT	513044111 00	1	1	1	1	
18	NET CONDENSER COIL	513012702 30	1	1	1	-	
		513012702 40	-	-	-	1	
19	TOP COVER CONDENSER	513044009 00	1	1	1	-	
		513084604 00	-	-	-	1	
20	PARTITION CONDENSER ASSY.	513044161 00	1	1	1	-	
		513084634 00	-	-	-	1	
21	CONNECTION BOX ASSEMBLY	SEE FIG. 1-4/5	1	1	1	1	

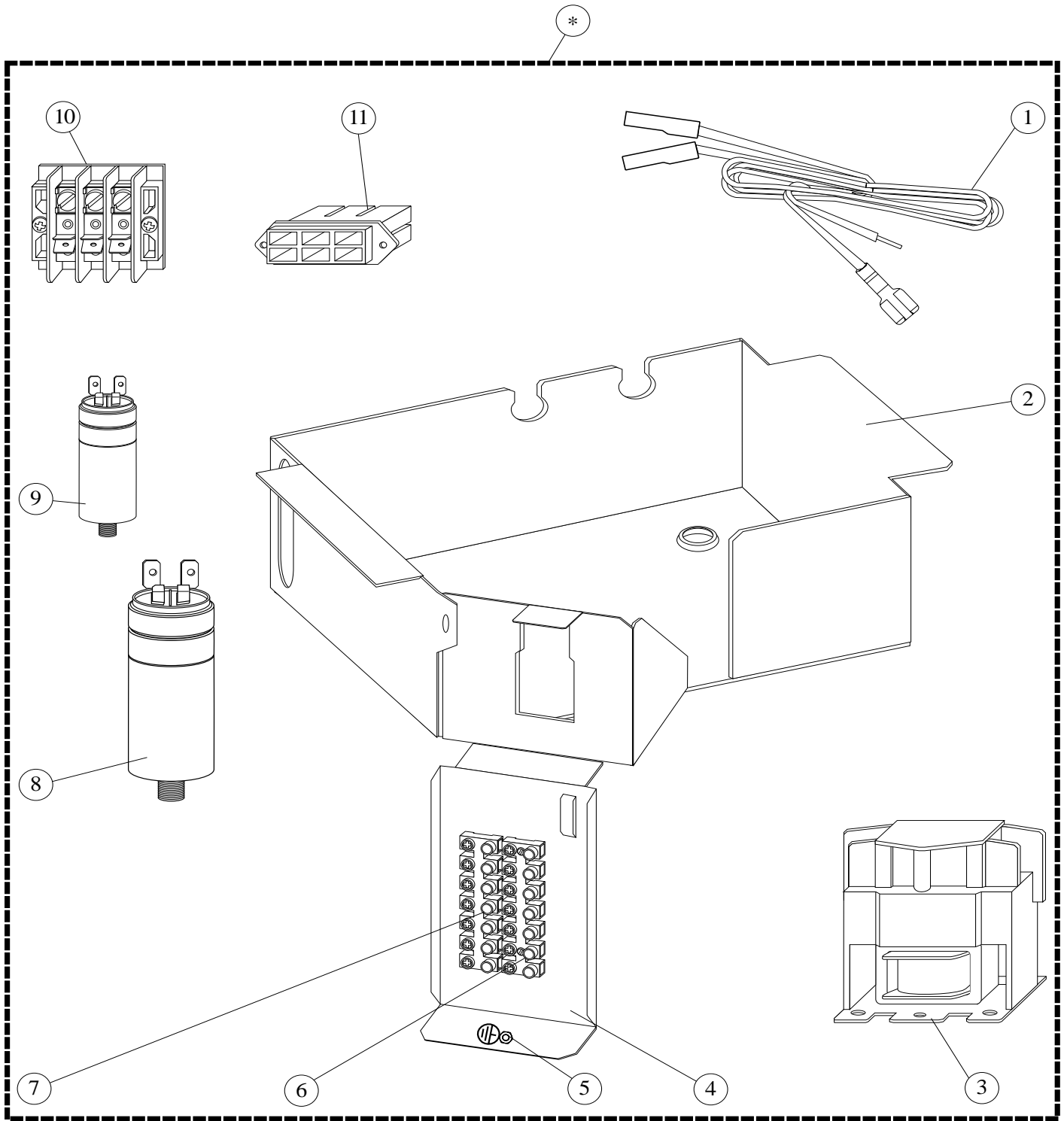


OCT. 2002 5130-26510-21

Figure 1-3. CONDENSER ASSEMBLY ANS 50 / 60 / 65 / 77

Table 1-4. CONDENSER CONNECTION BOX ASSEMBLY ANS 50 / 60
(See Fig. 1-4)

No.	DESCRIPTION	Cat. No.	50	60	Notes
*	CONNECTION BOX ASSY 1PH	513082401 86	1	1	
1	WIRING HARNESS ASSEMBLY	513079007 00	1	1	
2	SHEET METAL BASE	513044024 00	1	1	
3	SET CONTACTOR	513078688 00	2	2	
4	SUPPORT CONNECTION BOX	513044379 00	1	1	
5	GROUND TERMINAL RING	512019225 00	1	1	
6	TERMINAL BLOCK 7 POLES MALE	513020533 00	1	1	
7	TERMINAL BLOCK 7 POLES FEMALE	513020534 00	1	1	
8	COMPRESSOR CAPACITOR 60 μ F	513018360 00	1	1	
9	FAN MOTOR CAPACITOR 5 μ F	513018005 00	1	1	
10	TERMINAL BOARD 3 STATIONS	513020506 00	1	1	
11	CONNECTOR MALE BLACK 6 POLES	512019912 00	1	1	

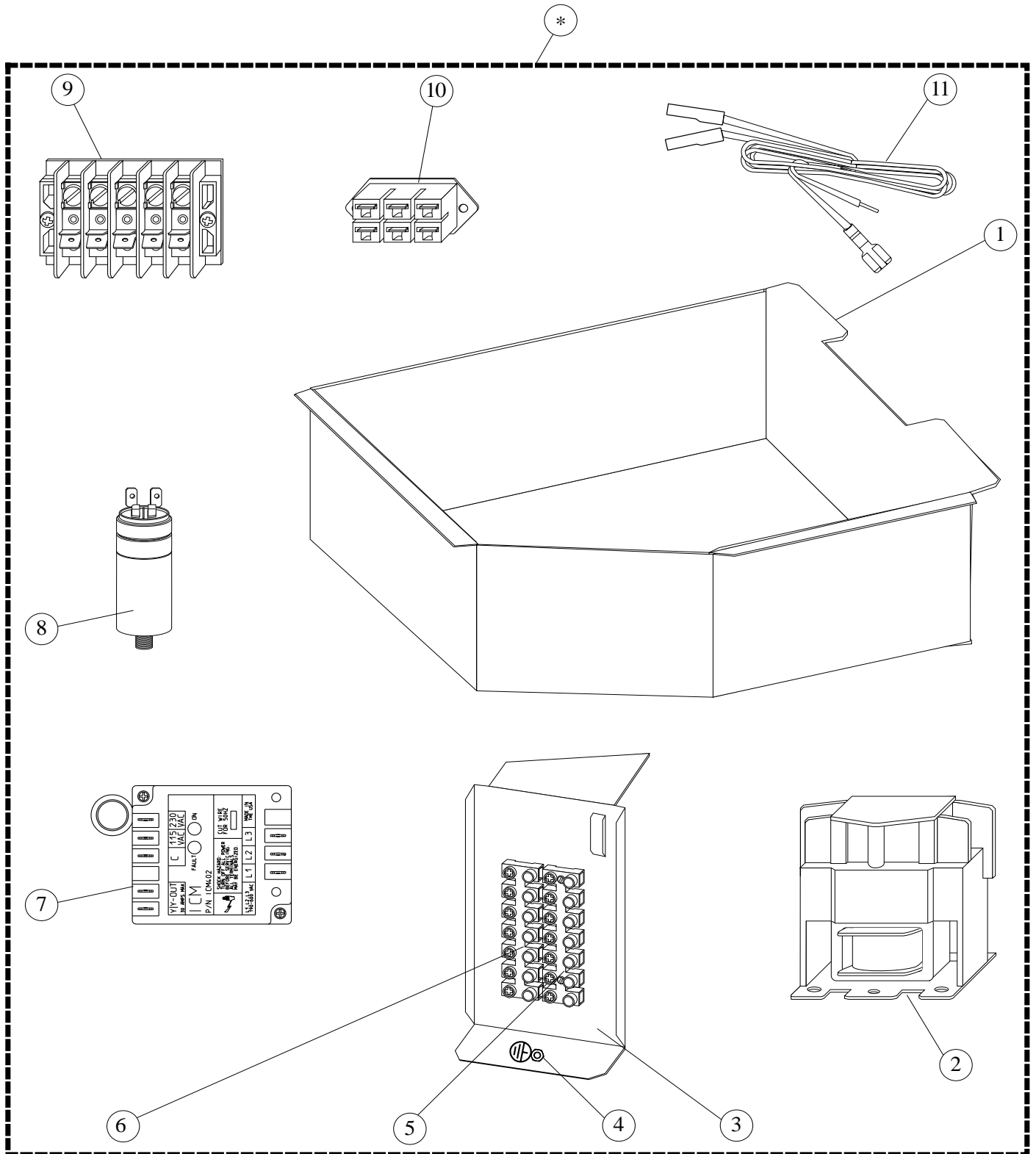


OCT. 2002 5130-26510-21

Figure 1-4. CONDENSER CONNECTION BOX ASSEMBLY ANS 50 / 60

Table 1-5. CONDENSER CONNECTION BOX ASSEMBLY ANS 65 / 77
(See Figure 1-5)

No.	DESCRIPTION	Cat. No.	ANS 65	ANS 77
*	CONNECTION BOX ASSY 3PH	513082401 81	1	-
		513082401 91	-	1
1	SHEET METAL BOX	513044024 00	1	-
		513044303 00	-	1
2	CONTACTOR 3 PH	513020412 00	2	2
3	CONNECTING SUPPORT	513044311 00	1	1
4	GROUND TERMINAL RING	512019225 00	1	1
5	TERMINAL BLOCK 7 POLES MALE	513020533 00	1	1
6	TERMINAL BLOCK 7 POLES FEMALE	513020534 00	1	1
7	3PH MOTOR PROTECTOR	513020242 00	1	1
8	FAN MOTOR CAPACITOR 5 μ F	513018005 00	1	1
9	TERMINAL BOARD 5 STATIONS	513020521 00	1	1
10	CONNECTOR MALE BLACK 6 POLES	512019912 00	1	1
11	WIRING HARNESS ASSEMBLY	513079007 00	1	1



OCT. 2002 5130-26510-21

Figure 1-5. CONDENSER CONNECTION BOX ASSEMBLY ANS 65 / 77